

Mod. FEX

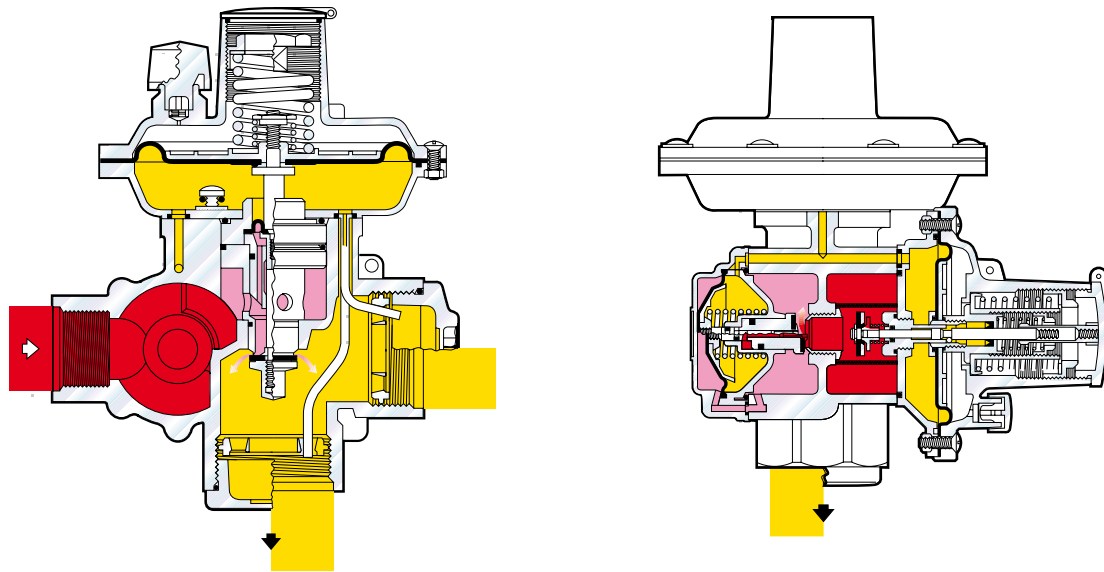
Double stage low-medium
Pressure self-driven regulators

Commercial service regulator

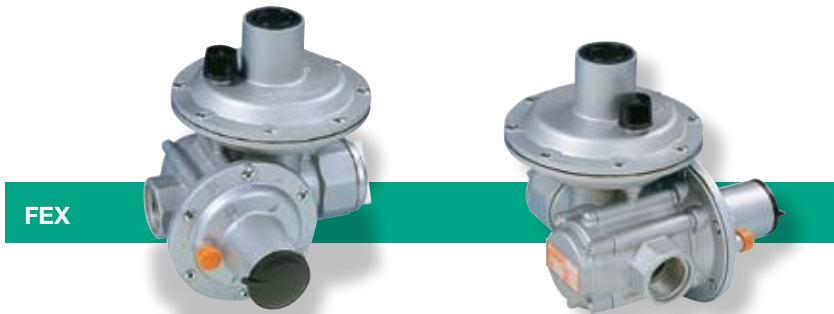
**DESIGNED, TESTED AND CERTIFIED EXCEEDING
THE FOLLOWING STANDARDS:**

- ANSI Z21.80a & CSA 6.22a for 10 PSIG inlet applications
- ANSI B109.4
- CSA B149/CSA 6.18

The FEX series is a two stage self-driven spring loaded regulators are widely used in both commercial and industrial installations using Natural Gas, LPG and other non corrosive gases. The FEX is designed for direct installation to a gas meter and for mounting in the pipeline. They can be mounted in any position provided the vent is protected from weather. When the installation is in an enclosed area, the internal relief vent can be piped to outside. A balanced two stage regulator results in accurate regulation and high operational reliability. The regulators are manufactured according to UNI 8827 & ANSI B109 standards.



■ Inlet pressure (Pu)
 ■ Intermediate pressure
 ■ Outlet pressure (Pd)



FEX
for underground installations



FEX
version with lowered shut-off device cover

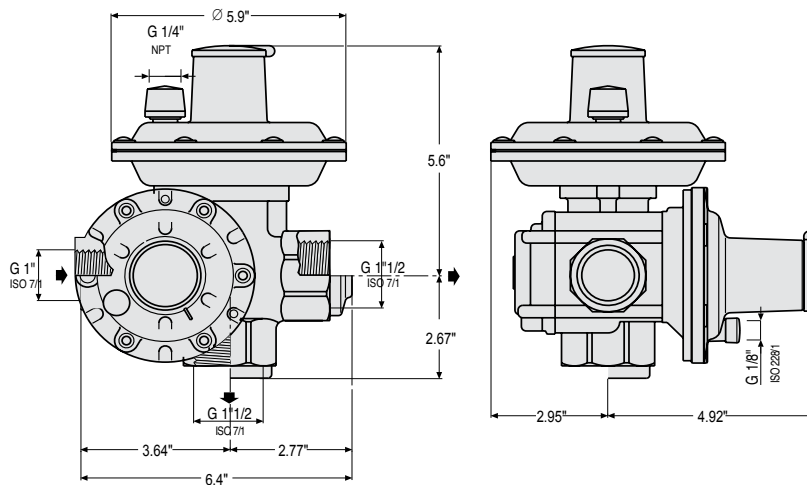


FEX
for underground installations



FEX
With sliding flanges in-line

Dimensions



Weight

6.4 Lb.s

Materials

Body - ALUMINUM AI GD-AISi12 - EN AB 46100

Cover - ALUMINUM AI GD-AISi12 - EN AB 46100

External treatments

2nd stage body and cover sandblasting + phosphating + dust polyurethane powder paint. 1st stage and shut-off device cover coating

Main features

- > Inlet pressure range: bpu: 7.25 - 125 Psi
- > Max allowable pressure: PS: 125 Psi
- > Outlet pressure range Wd:
- BP: 5.2 - 40.1" wc
- MP: 40.1" wc - 5 PSIG
- > Over pressure shut - off setting range: Wd
- OPSO BP 12.8÷64.3" wc
- Wd OPSO MP 62.2÷180.8" wc
- > Under pressure shut-off setting range: Wd
- UPSO 2.4÷32.1" wc
- Wd UPSO MP 32.1÷80.3" wc
- > Accuracy class:
- AC 5/10%
- > Lock up pressure class: SG 30% Max
- Temperature class: 2
- Ambient Temperature -40°F +140°F Flowing
- Gas Temperature -4°F +140°F

Safety devices and accessories

- > Built-in 100 µm inlet filter with an area of 1.55 inch².
- > Over pressure shut-off device (OPSO).
- > Under pressure shut-off device (UPSO).
- > Excess flow valve.
- > Relief valve.
- > Safety shut-off device for lack of feeding (UPSO).
- > Manual reset of safety shutoff device only.

MODEL

NOMINAL CAPACITY

REQUIRED MINIMUM INLET PRESSURE BAR (PSI)

FEX

3,500 SCFH

Outlet Pressure + 7.25

Please note that since the FEX is a 2 stage regulator the capacity is fixed at 3,500 SCFH from 7.25 PSIG to 125 PSIG inlet pressure.

LPG flow rate: multiply the value in the table x 1.2

Air flow rate: multiply the value in the table x 0.789



Pietro Fiorentini (USA), Inc.
131-B Peninsula Street
Wheeling, WV 26003

Tel. (304) 232 – 9115

The data is not binding. We reserve the right to make eventual changes without prior notice.

CT-s 573-E October 2019

www.fiorentini.com
www.fioussa.com
www.gasinside.com