

Job Name _____
 Job Location _____
 Engineer _____
 Approval _____

 Contractor _____
 Approval _____
 Contractor's P.O. No. _____
 Representative _____

GOVERNOR

2 PSIG


Gas Pressure Regulators

Sizes 1/2" – 1" NPT and 2 1/2" - 4" ANSI 150 Flg.

The GOVERNOR family of regulators are ideal for a wide range of residential through large industrial applications. The materials and soft parts used in the construction of the GOVERNOR regulators make them suitable for use with natural gas, LPG, Propane air and other non-corrosive gases. **NOTE: The standard Governor is intended to be used on high efficiency and standard equipment!**

All GOVERNOR regulators are equipped with balanced valve design for improved high outlet pressure accuracy regardless of Inlet pressure variation. The double diaphragm with integral vent limiter provides added security. The external vent limiter reduces piping costs and the need for costly vent piping for indoor installations and complies with CSA guidelines.* The number of high capacities and regulator options sometimes eliminates the need for separate units and significantly reduces installation costs.

The following Features that give you Safe, Reliable and High Performance

- Internal vent limiter: non removable, for indoor and outdoor installations in any position.
- The Governor is CSA Certified external vent limiter option for indoor installations.* Can be installed in any position.
- The Governor incorporates a double molded diaphragm for added safety and greater reliability of service.
- The Governor incorporates a balanced valve design gives you for increase capacity, high 500 to 1 turndown and stable regulation from low to high flows.
- The Governor incorporates a Nitrile valve and a machined orifice that provides complete lockup in absence of gas flow, for 100% bubble tight shutoff.
- The Governor incorporates an inlet filter included in all models.

*As Approved by Local Codes and Standards

** Vent Limiters should be removed for outdoor installation **

MATERIALS

- Body & Cover: Aluminum Alloy
- External Coatings: Polyurethane paint upon request
- Diaphragm, O Rings & Valve: Nitrile Rubber
- Diaphragm Pan: Aluminized Steel

VENT SIZE

- 1/4" NPT for 1/2" – 1" Sizes 1/2" NPT for 1 1/4" - 4"
- ANSI Z21.18B-2019 / CSA 6.3B-2019

*Spring is CSA outlet pressure certified

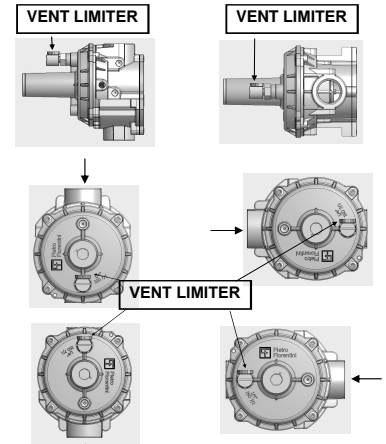
**As Approved by Local Codes and Standards

***Brass vent limiter must be removed for outdoor installation



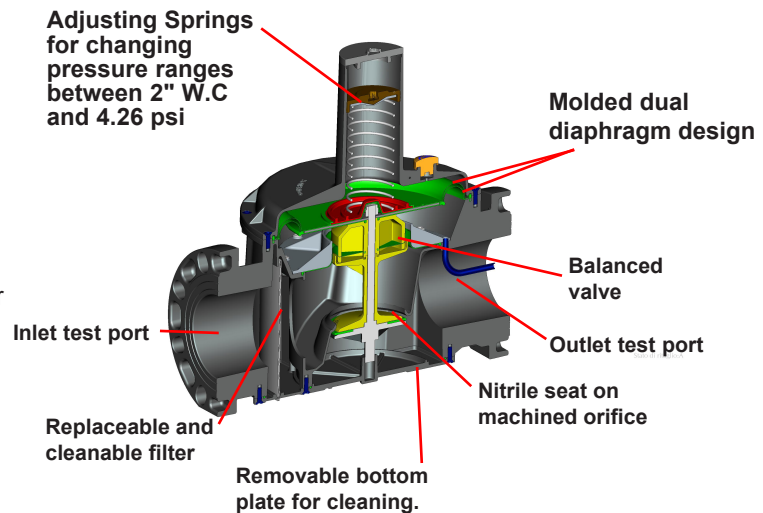
STANDARD MODEL

Inlet Pressure
Range: 3" W.C. to 7.25
PSIG



Note: Multi vent limiter position approved but flat top must face up.

Basic Design Feature



SPECIFICATIONS

- Suitable for use with Natural Gas, LPG, and other non-corrosive, clean gas
- Max. inlet Pressure: CSA rated - 2 PSIG
Non CSA rated - 7.25 PSIG
- Outlet Pressure: 2" W.C. to 14" W.C. Class 1 and up to 4.25 PSIG for non-CSA applications
- Temperature Range: -40°F to 150°F
- Connections: 1/2" - 4"
- Maximum Emergency Inlet Exposure Pressure: 80 PSIG
- Suitable for Indoor or Outdoor Installation***

GOVERNOR CAPACITY TABLES

CAPACITY IN CFH FOR .60 SPECIFIC GRAVITY GAS WITH FILTER (CAPACITY WITHOUT FILTER IN BRACKETS)

	Outlet Pressure Set Point	Operating Inlet Pressure		
		14" W.C.	1 PSIG	2 PSIG
31051 ½"	8" W.C.	306 (360)	552 (649)	785 (923)
	11" W.C.	218 (256)	511 (601)	788 (927)
31052 ¾"	8" W.C.	369 (450)	665 (812)	946 (1,154)
	11" W.C.	363 (321)	616 (751)	950 (1,1548)
31053 1"	8" W.C.	495 (585)	893 (1,055)	1,270 (1,154)
	11" W.C.	353 (417)	826 (977)	1,274 (1,506)
31150 ½" High Capacity	8" W.C.	675 (855)	1,218 (1,543)	1,731 (2,193)
	11" W.C.	481 (609)	1,127 (1,428)	1,738 (2,201)
31151 ¾" High Capacity	8" W.C.	788 (1,080)	1,421 (1,949)	2,020 (2,771)
	11" W.C.	561 (770)	1,315 (1,803)	2,028 (2,781)
31152 1" High Capacity	8" W.C.	990 (1,283)	1,786 (2,314)	2,540 (3,290)
	11" W.C.	706 (914)	1,653 (2,142)	2,354 (3,302)
31153 1¼"	8" W.C.	2,071 (3,062)	3,735 (5,522)	5,311 (7,851)
	11" W.C.	1,476 (2,183)	3,457 (5,110)	5,330 (7,880)
31154 1½"	8" W.C.	2,567 (3,197)	4,629 (5,766)	6,581 (8,197)
	11" W.C.	1,829 (2,279)	4,284 (5,336)	6,605 (8,228)
31155 2"	8" W.C.	5,179 (5,854)	9,339 (10,557)	13,278 (15,009)
	11" W.C.	3,691 (4,173)	8,643 (9,770)	13,327 (15,065)
31156/F 2½"	8" W.C.	6,530 (7,431)	11,775 (13,999)	16,741 (19,051)
	11" W.C.	4,655 (5,297)	10,898 (12,401)	16,803 (19,121)
31157/F 3"	8" W.C.	7,205 (9,007)	12,993 (16,242)	18,473 (23,092)
	11" W.C.	5,136 (6,240)	12,025 (15,032)	18,542 (23,177)
31158/F 4"	8" W.C.	12,835 (15,762)	23,245 (28,424)	32,906 (40,411)
	11" W.C.	9,149 (11,236)	21,420 (26,306)	33,027 (40,560)

OUTLET SPRING RANGE

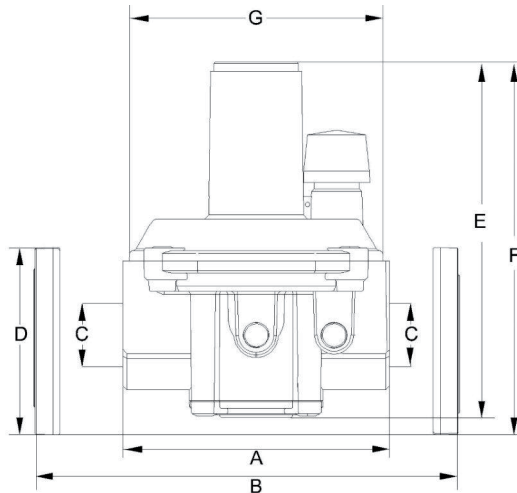
- Green 2" W.C. to 5.1" W.C.*
- Red 2.75" W.C. to 7.87" W.C.*
- Black 6" W.C. to 14" W.C.*
- Yellow 9.8" W.C. to 27.5" W.C.
- Violet 23.6" W.C. to 59" W.C.
- Orange 55" W.C. to 118" W.C.

*Spring is CSA outlet pressure certified

**As Approved by Local Codes and Standards

***Brass vent limiter must be removed for outdoor installation

GOVERNOR DIMENSIONS



DIMENSIONS

Model	Size	A	B	C	D	E	F	G*	Weight (Lbs)
31150	1/2" NPT	4.72	-	1/2"	-	6.89	-	4.49	2.75
31151	3/4" NPT	4.72	-	3/4"	-	6.89	-	4.49	2.75
31152	1" NPT	4.72	-	1"	-	6.89	-	4.49	2.75
31153	1 1/4" NPT	7.68	-	1.25"	-	10	-	7.56	7.5
31154	1 1/2" NPT	7.68	-	1.5"	-	10	-	7.56	7.5
31155	2" NPT	9.29	-	2"	-	12.44	13.74	7.56	12.34
31156/F	2 1/2" FLANGED	-	16.9	3"	ANSI 150	-	17.09	12.52	27.56
31157/F	3" FLANGED	-	16.9	3"	ANSI 150	-	17.09	12.52	27.56
31158/F	4" FLANGED	-	16.9	4"	ANSI 150	-	19.76	12.52	27.56



Pietro Fiorentini product specifications in U.S. are provided for reference only. For precise application assistance, please contact Pietro Fiorentini Technical Service or your local distributor. Pietro Fiorentini reserves the right to change or modify product design, construction, specifications, or materials without prior notice and without incurring any obligation to make such changes and modifications on Pietro Fiorentini products previously or subsequently sold.