

# Sonix Gas Meters

Sonix2000

**With its compact size and simple, no-moving parts design, Sonix offers unprecedented levels of accuracy, reliability, and performance available in no other gas meter – all backed by the industry’s best warranty.**

The Sonix2000 is an ideal choice for commercial and industrial applications with capacity requirements up to 3000 cfh. With no moving parts, Sonix requires less maintenance and is not susceptible to stoppage or damage from freezing, piping stress, or particulates in the gas line. And unlike rotary meters, the Sonix digital platform includes a host of built in self-diagnostic and monitoring capabilities including on-board temperature and pressure compensation capabilities as well as data logging.



## Specifications

General	
Meter Type	Single path ultrasonic
Connections	2" ANSI 125 flat faced flanged
Mounting	inlet left, right, top, bottom
MAOP	60 psig operation (175 psig containment)
Temperature Range	-30° to +130°F ±1% correction
Temperature Range	-30° to +150°F ambient
Gas Application:	Clean, dry natural gas insensitive to liquid, particulate, and freezing; gases with specific gravity between 0.6 (Natural Gas) and 1 (air)
Flow Conditioning	No filter/flow conditioning required

Rangeability	
Capacities	2000 cfh at ΔP of 0.5" w.c. 40:1 (±1%: 50 - 2000 cfh) 200:1 (±2%: 10 - 50 cfh)
	3000 cfh at ΔP of 1.3" w.c. 60:1 (±1%: 50 - 3000 cfh) 300:1 (±2%: 10 - 50 cfh)
	Low Flow Cutoff

Features	
Warranty	15 years meter; 10 years battery
Diagnostics	Meter health, tampering, reverse flow and air in the meter
Temperature Compensation	Internal thermistor
Pressure Compensation	Optional internal transducer or fixed factor
Proof Verification	Compatible with rotary transfer provers
Data logging	Hourly for 60 days

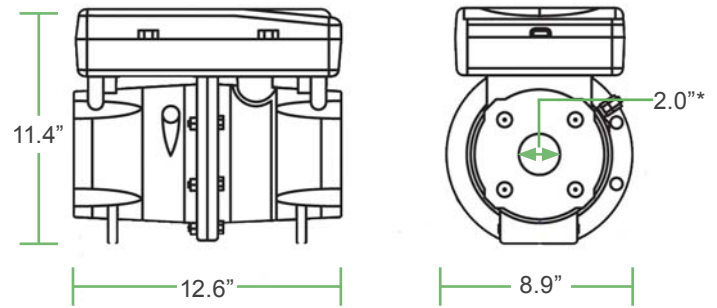
Communications	
Optical Reading Port	Requires optical probe and SONIXCOM software
Pulse Type	Two configurable Form A outputs (corrected and uncorrected pulse or index volume and alarm pulse)
Pulse Duration	50ms
Pulse Rate	User scaleable 1 or 10 cu ft/pulse; 100 or 1000 cu ft/pulse or liter/pulse
AMR Type	Any Form A pulse collector

Regulatory Standards/Approvals	
Safety	CSA C22.2 No 213-M1987, First Edition: Non-incendive Electrical Equipment for Use in Class I, Div.2 Hazardous Locations
	UL1604, Third Edition, Rev. 2/3/04: Electrical Equipment for Use in Class I and Class II, Div. 2, and Class III Hazardous Classified Locations
Metrology	Measurement Canada AG-0577 to PS-G-06

## Specifications

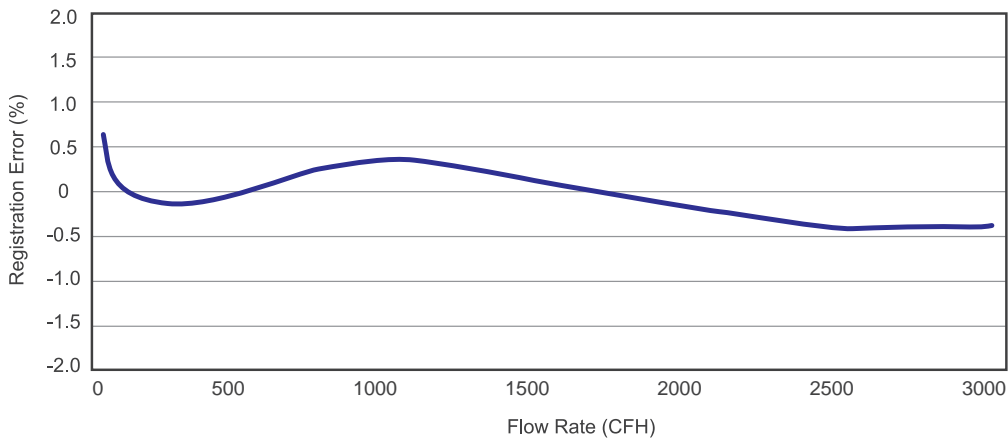
### Physical and Power

Display	3/8" LCD index; 4, 5, or 6 digits with 3 digit alarm/high resolution index
Case	383 aluminum alloy
Dimensions	11.4" x 12.6" x 8.9"
Weight	28.6 Lbs.
Voltage	7.2 vDC
Battery	Field replaceable dual "D" cell lithium thionyl chloride
Flash memory	Permanent information retention without power

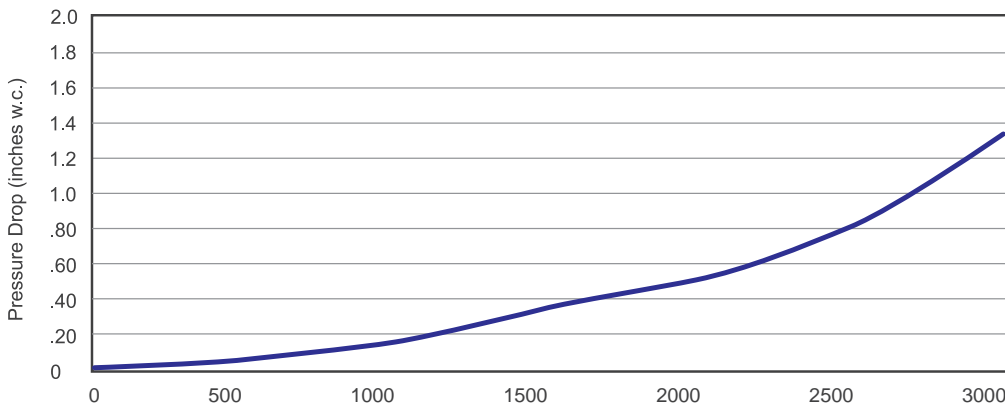


\*2.0" flanged per ANSI B16.19; holes on 4.75" bolt circle - 5/8" x 11 UNC 15/16" deep.

## Performance Curve



## Differential Curve



Sonix2000 gas meters are also designed in accordance with the following standards:

### Construction and Performance

Construction to relevant sections of:

- OIML R6:1989 General Provisions for Gas Volume Meters
- ANSI B109.2 Diaphragm Type Gas Displacement Meters
- Measurement Canada PS-G-06 approval AG-0577

### Ingress Protection

- NEMA 3R enclosure rating (IP22)

### Immunity (Magnetic and Radiated)

- IEC 61000-4-8:1993 for Magnetic Immunity
- IEC 61000-4-3:1995 for Radiated Immunity.

### Vibration and Shock

- IEC 60068/2-6 and IEC 60068-2-31

### EMC Emissions

- Title 47 of the CFR, Part 18 Subpart C – 18.309(a) and 18.311 Radiated Emission Limits for Industrial, Scientific, and Medical (ISM) Equipment, Ultrasonic Devices.

### Communications

- BS EN 62056-21: 2002, Data Exchange for Meter Reading, Tariff and Load Control - Direct Local Data Exchange

For more information, visit us at [sensus.com](http://sensus.com)

© 2011 Sensus USA Inc. The Sensus logo is a registered trademark of Sensus.