



## SmartPoint GM Transceiver

### For Commercial Gas Meter Applications

The FlexNet® SmartPoint® GM transceiver for commercial applications connects gas utilities with their customers, harnessing the power of two-way communication for superior business-to-business relations.

#### Energize small business opportunities

Consistent meter readings, with detail down to hourly increments, provide insight to consumption patterns allowing your commercial sales team to provide satisfying service or new marketing opportunities for revenue-generating accounts.

#### Walk-by - Drive-by - Fixed Base

FlexNet SmartPoint transceivers are designed for gas utilities. Our high power transceivers fit popular commercial diaphragm meters and require far less infrastructure than other systems to communicate with you. That means more information more often. What's more, FlexNet SmartPoint transceivers can be installed as walk-by, drive-by or fixed base communication endpoints, then have their broadcast platform reconfigured easily, for true operational efficiency. So they grow with your business to help move it forward.

#### FEATURES

- Three operational modes: walk-by, drive-by, fixed-base
- Two watts broadcast power
- Secure, encrypted data
- Over-the-air firmware download
- 20-year battery warranty

#### BENEFITS

- Flexible operation
- Less infrastructure
- Operational savings
- Hourly reading data

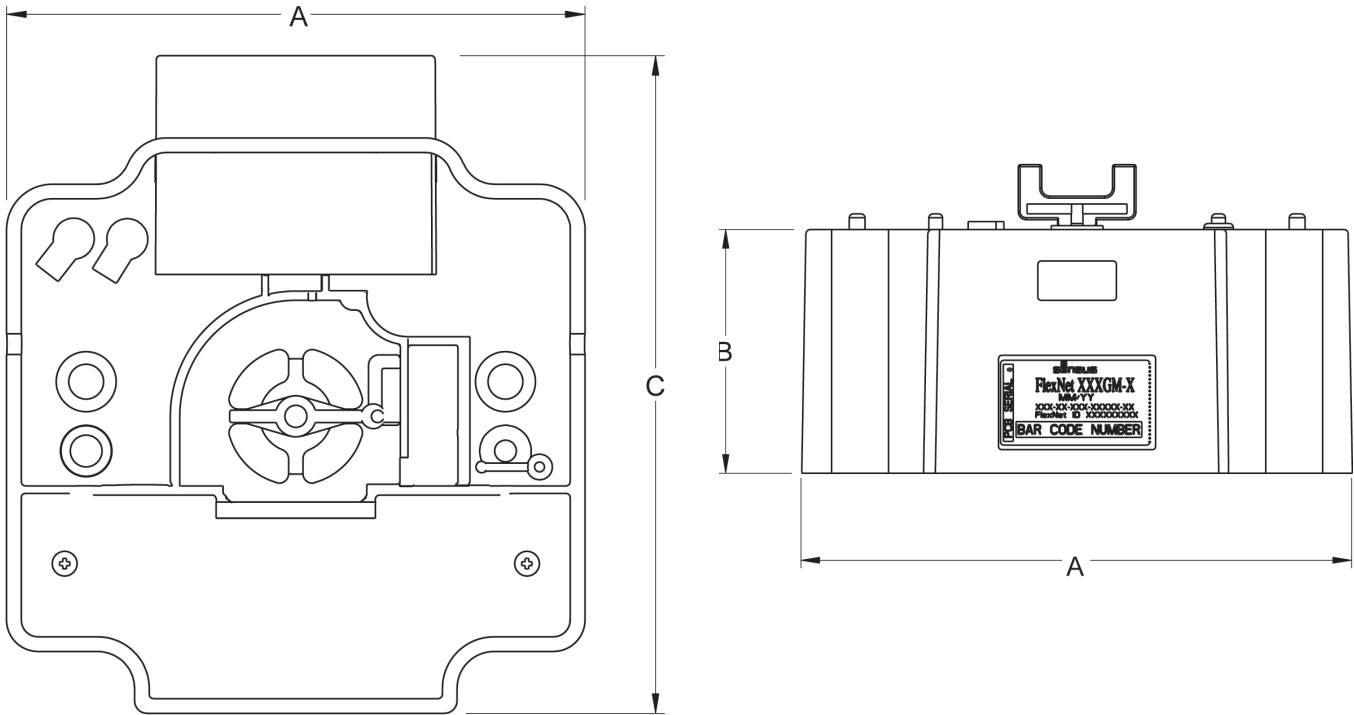
#### SPECIFICATIONS

The SmartPoint GM residential transceiver is designed for direct-mount to the meter, interfacing with the gas meter drive assembly and allowing re-use of the existing meter index.

Broadcast Power	2 watts	
Frequency Range	896-960MHz	
Channels	8000 x 6.25kHz steps	
Modulation	Proprietary narrow band	
Memory	Non-volatile	
Operating Environment	Class I/Div. 2	
Operating Temperature	-30° F to +150° F	
Power	Lithium thionyl chloride (LiSOCl <sub>2</sub> ) batteries in conjunction with a hybrid layer capacitor (HLC)	
Approvals	United States FCC CFR 47: Part 24D, Part 101C, Part 15 licensed operation	Canada Industry Canada (IC) RSS-GEN RSS-119, RSS-210
Warranty	20 years	

# SmartPoint GM Tranceiver

## For Commercial Gas Meter Applications



### METER COMPATIBILITY

	Meter	SmartPoint Model	Width (A)	Height (B)	Depth (C)	Weight
Sensus (Rockwell/Equimeter/Invensys)	R750, R1000, R1600, R3000, R5000, R10000	500GM	5.51"	2.50"	6.26"	1.2 lbs.
Honeywell (Elster /American)	AL800, AL1000, AL1400, AL2300, AL5000	600GM	5.16"	2.50"	5.91"	1.12 lbs.
Itron (Actaris/Schlumberger/Sprague)	675A, 800A, 1000A *Includes adapter kit (P/N 5398155580200)	800GM	5.16"	2.50"	5.91"	1.12 lbs.



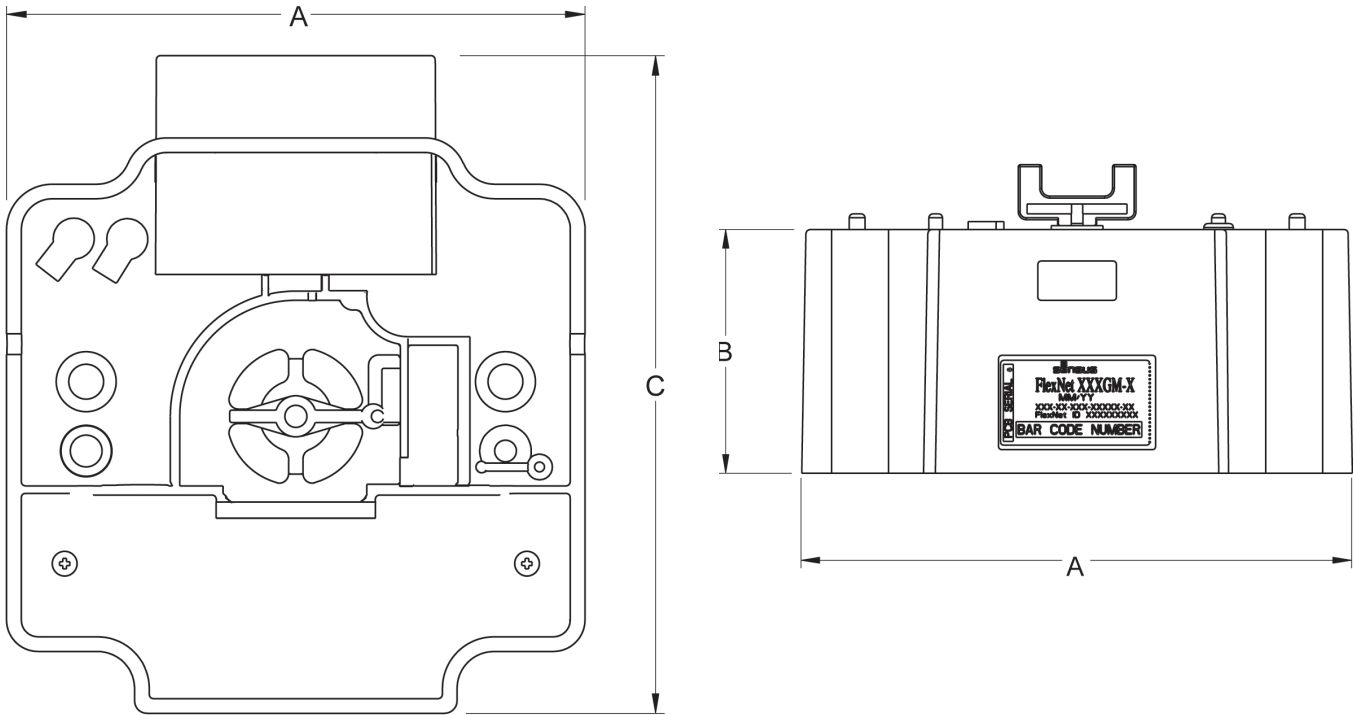
**SENSUS** | 637 Davis Drive | Morrisville, NC 27560 | 800.638.3748

©2020 Sensus. All products purchased and services performed are subject to Sensus' terms of sale, available at either [sensus.com/TC](https://www.sensus.com/TC) or 1-800-638-3748. Sensus reserves the right to modify these terms and conditions in its own discretion without notice to the customer. The Sensus logo is a registered trademark of Sensus.

This document is for informational purposes only, and SENSUS MAKES NO EXPRESS WARRANTIES IN THIS DOCUMENT. FURTHERMORE, THERE ARE NO IMPLIED WARRANTIES, INCLUDING WITHOUT LIMITATION, WARRANTIES AS TO FITNESS FOR A PARTICULAR PURPOSE AND MERCHANTABILITY. ANY USE OF THE PRODUCTS THAT IS NOT SPECIFICALLY PERMITTED HEREIN IS PROHIBITED.

# SmartPoint GM Tranceiver

## For Commercial Gas Meter Applications



### METER COMPATIBILITY

	Meter	SmartPoint Model	Width (A)	Height (B)	Depth (C)	Weight
Sensus (Rockwell/ Equimeter/ Invensys)	R750, R1000, R1600, R3000, R5000, R10000	500GM	5.51"	2.50"	6.26"	1.2 lbs.
Honeywell (Elster /American)	AL800, AL1000, AL1400, AL2300, AL5000	600GM	5.16"	2.50"	5.91"	1.12 lbs.
Itron (Actaris/ Schlumberger/ Sprague)	675A, 800A, 1000A *Includes adapter kit (P/N 5398155580200)	800GM	5.16"	2.50"	5.91"	1.12 lbs.



**SENSUS** | 637 Davis Drive | Morrisville, NC 27560 | 800.638.3748

©2020 Sensus. All products purchased and services performed are subject to Sensus' terms of sale, available at either [sensus.com/TC](https://www.sensus.com/TC) or 1-800-638-3748. Sensus reserves the right to modify these terms and conditions in its own discretion without notice to the customer. The Sensus logo is a registered trademark of Sensus.

This document is for informational purposes only, and SENSUS MAKES NO EXPRESS WARRANTIES IN THIS DOCUMENT. FURTHERMORE, THERE ARE NO IMPLIED WARRANTIES, INCLUDING WITHOUT LIMITATION, WARRANTIES AS TO FITNESS FOR A PARTICULAR PURPOSE AND MERCHANTABILITY. ANY USE OF THE PRODUCTS THAT IS NOT SPECIFICALLY PERMITTED HEREIN IS PROHIBITED.