

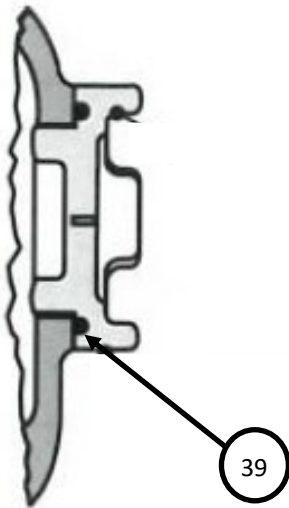
2"-441-S 10" Case

Wetted Parts Kit

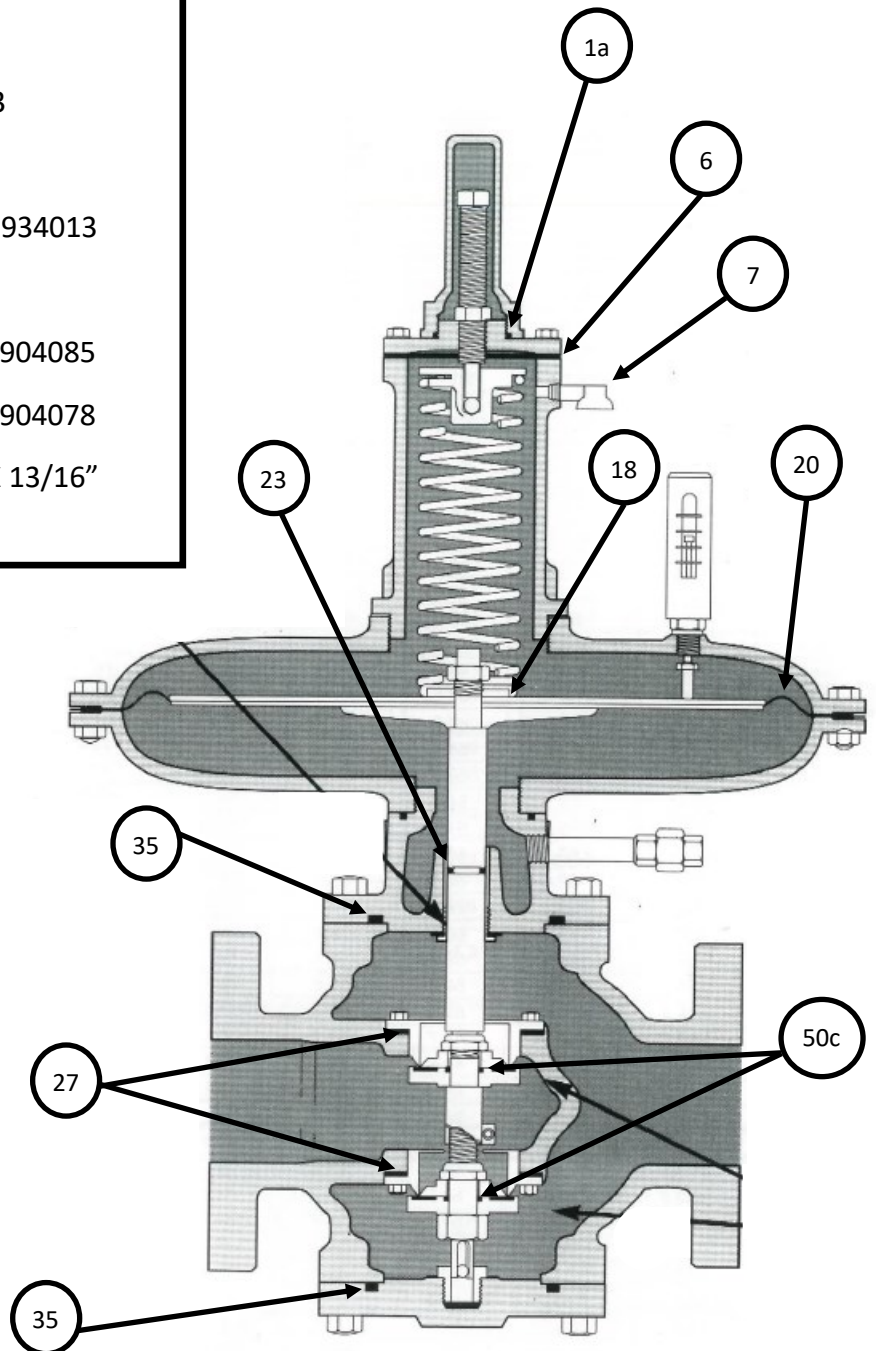


Kit Includes:

- 1a. Tetraseal, 1-3/4" X 2" PN:904092
- 6. Spring Cage Cover Gasket PN: 090-16-066-30
- 7. Vent Cap 1/4" PN: 137-02-505-02
- 18. Qty. (2) Seal Gasket PN: 014-76-179-03
- 20. Diaphragm 10" PN: 090-70-150-20
- 23. Stem O-ring, 11/16" I.D 7/8" O.D. PN: 934013
- 27. Qty. (2) O-ring, For Orifice PN: 904832
- 35. Qty. (2) Tetraseal, 4-3/8" X 4-5/8" PN: 904085
- 39. Qty. (2) Tetraseal, 3-1/4" X 3-1/2" PN: 904078
- 50c. Qty. (2) O-ring For Valve Seats, 5/8" X 13/16" PN: 934012



Side Inspection Plate



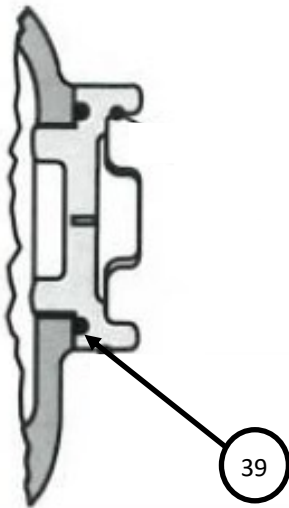
2"-441-S 12" Case

Wetted Parts Kit

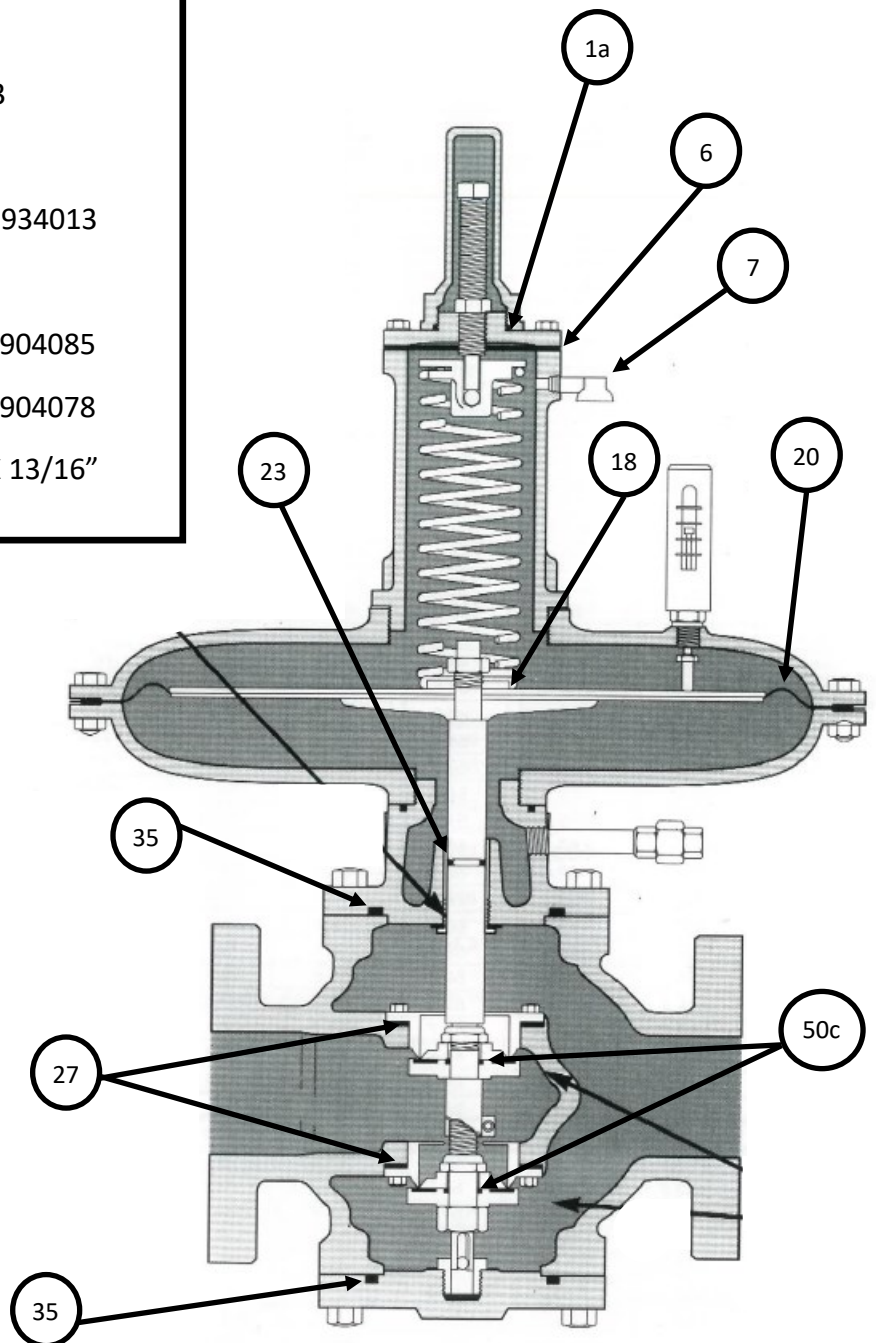


Kit Includes:

- 1a. Tetraseal, 1-3/4" X 2" PN: 904092
- 6. Spring Cage Cover Gasket PN: 090-16-066-30
- 7. Vent Cap 1/4" PN: 137-02-505-02
- 18. Qty. (2) Seal Gasket PN: 014-76-179-03
- 20. Diaphragm 12" PN: 090-71-150-20
- 23. Stem O-ring, 11/16" I.D 7/8" O.D. PN: 934013
- 27. Qty. (2) O-ring, For Orifice PN: 904832
- 35. Qty. (2) Tetraseal, 4-3/8" X 4-5/8" PN: 904085
- 39. Qty. (2) Tetraseal, 3-1/4" X 3-1/2" PN: 904078
- 50c. Qty. (2) O-ring For Valve Seats, 5/8" X 13/16"



Side Inspection Plate



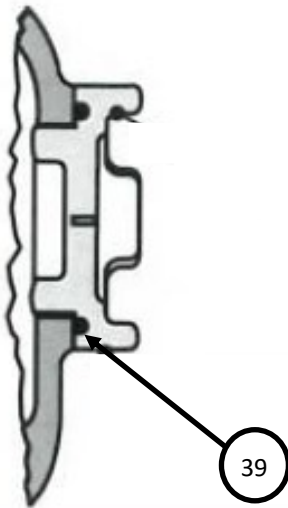
2"-441-S 14" Case

Wetted Parts Kit

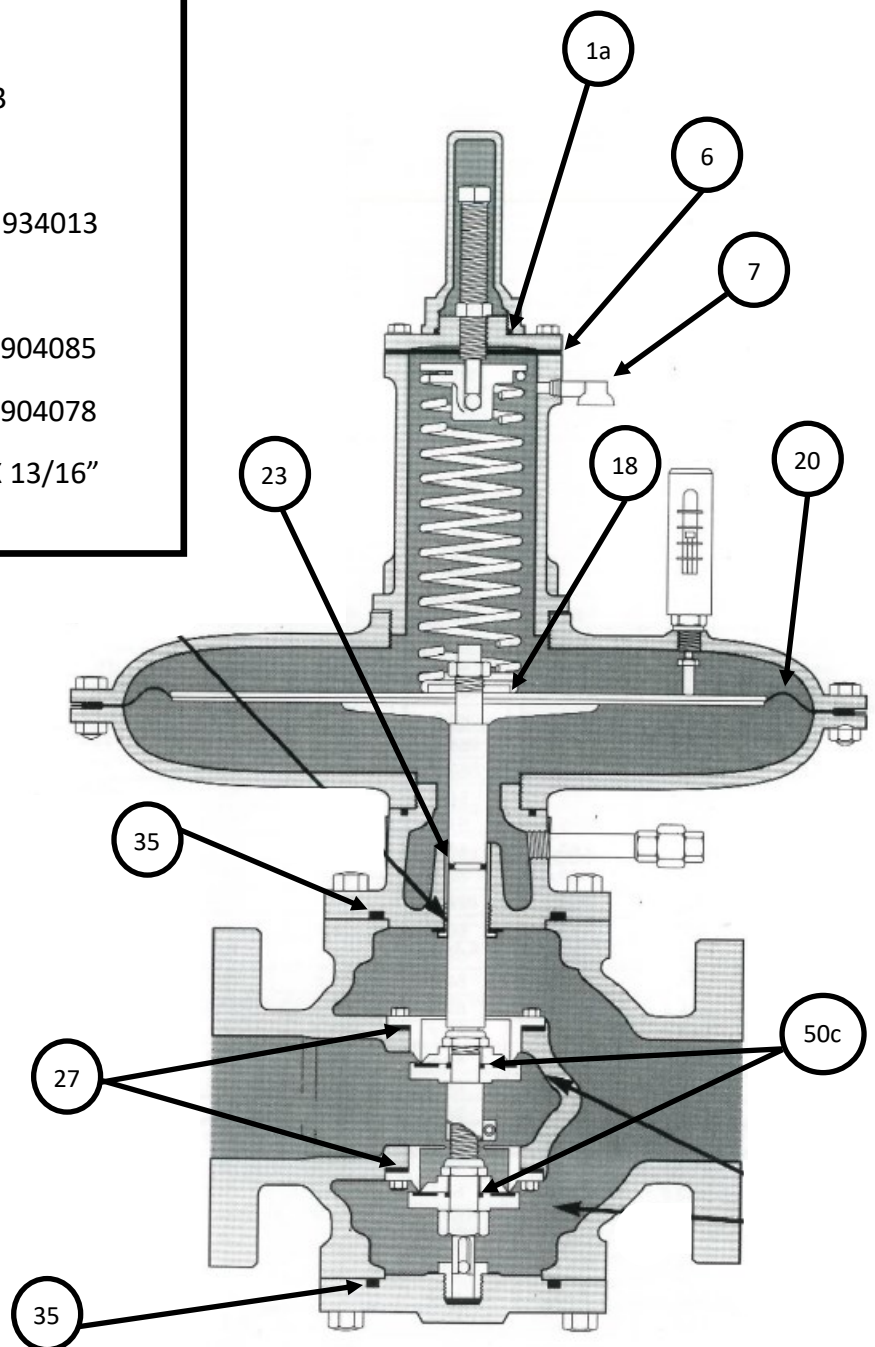


Kit Includes:

- 1a. Tetraseal, 1-3/4" X 2" PN: 904092
- 6. Spring Cage Cover Gasket PN: 090-16-066-30
- 7. Vent Cap 1/4" PN: 137-02-505-02
- 18. Qty. (2) Seal Gasket PN: 014-76-179-03
- 20. Diaphragm 14" PN: 090-72-150-20
- 23. Stem O-ring, 11/16" I.D 7/8" O.D. PN: 934013
- 27. Qty. (2) O-ring, For Orifice PN: 904832
- 35. Qty. (2) Tetraseal, 4-3/8" X 4-5/8" PN: 904085
- 39. Qty. (2) Tetraseal, 3-1/4" X 3-1/2" PN: 904078
- 50c. Qty. (2) O-ring For Valve Seats, 5/8" X 13/16" PN: 934012



Side Inspection Plate



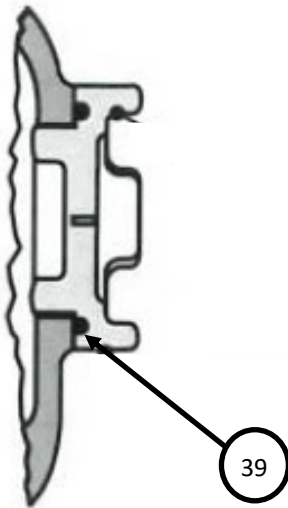
2"-441-S 16" Case

Wetted Parts Kit

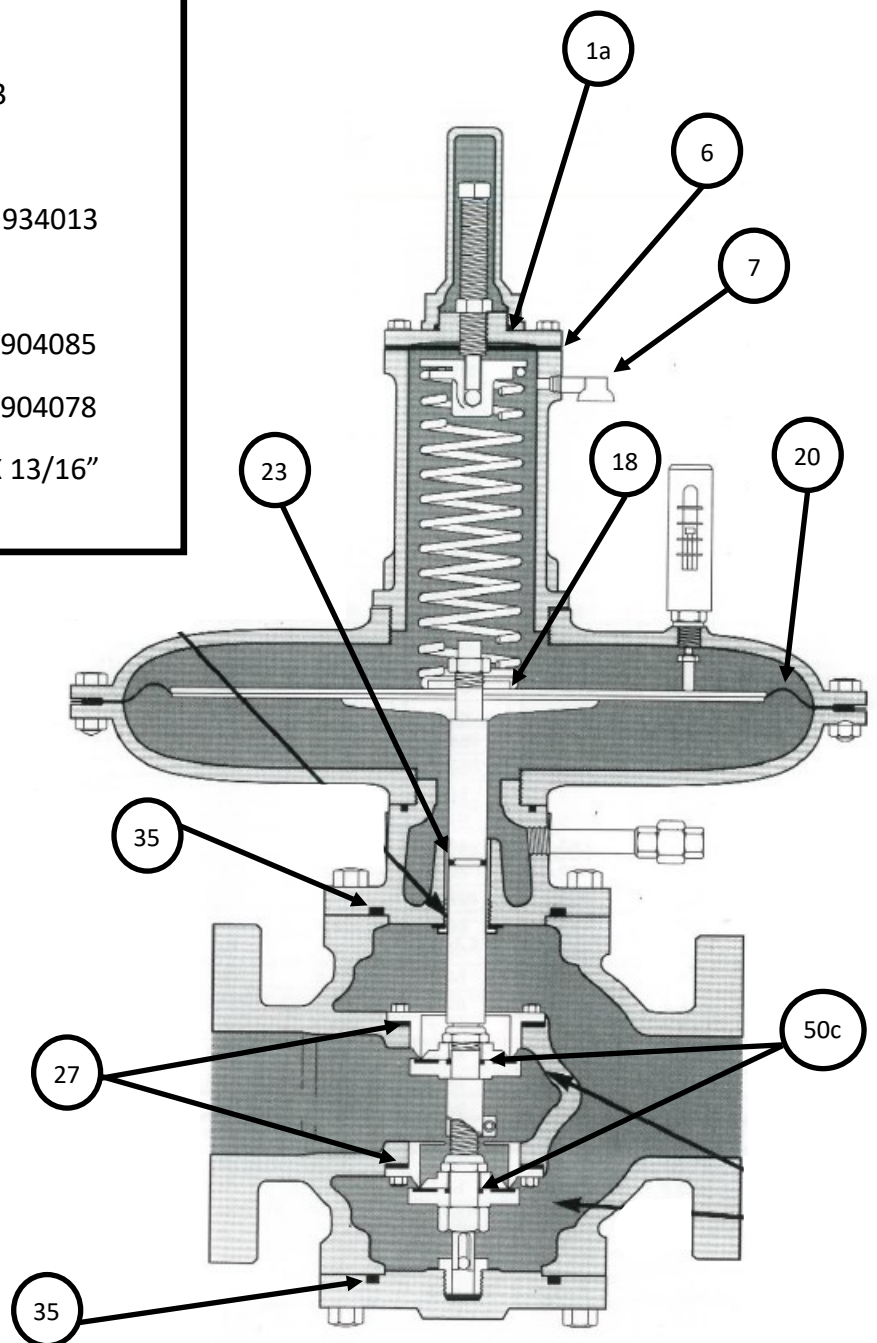


Kit Includes:

- 1a. Tetraseal, 1-3/4" X 2" PN: 904092
- 6. Spring Cage Cover Gasket PN: 090-16-066-30
- 7. Vent Cap 1/4" PN: 137-02-505-02
- 18. Qty. (2) Seal Gasket PN: 014-76-179-03
- 20. Diaphragm 16" PN: 090-73-150-20
- 23. Stem O-ring, 11/16" I.D 7/8" O.D. PN: 934013
- 27. Qty. (2) O-ring, For Orifice PN: 904832
- 35. Qty. (2) Tetraseal, 4-3/8" X 4-5/8" PN: 904085
- 39. Qty. (2) Tetraseal, 3-1/4" X 3-1/2" PN: 904078
- 50c. Qty. (2) O-ring For Valve Seats, 5/8" X 13/16" PN: 934012



Side Inspection Plate



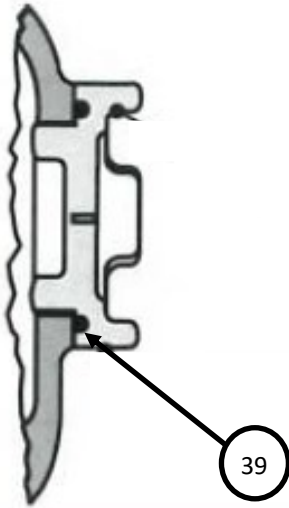
3"-441-S 10" Case

Wetted Parts Kit

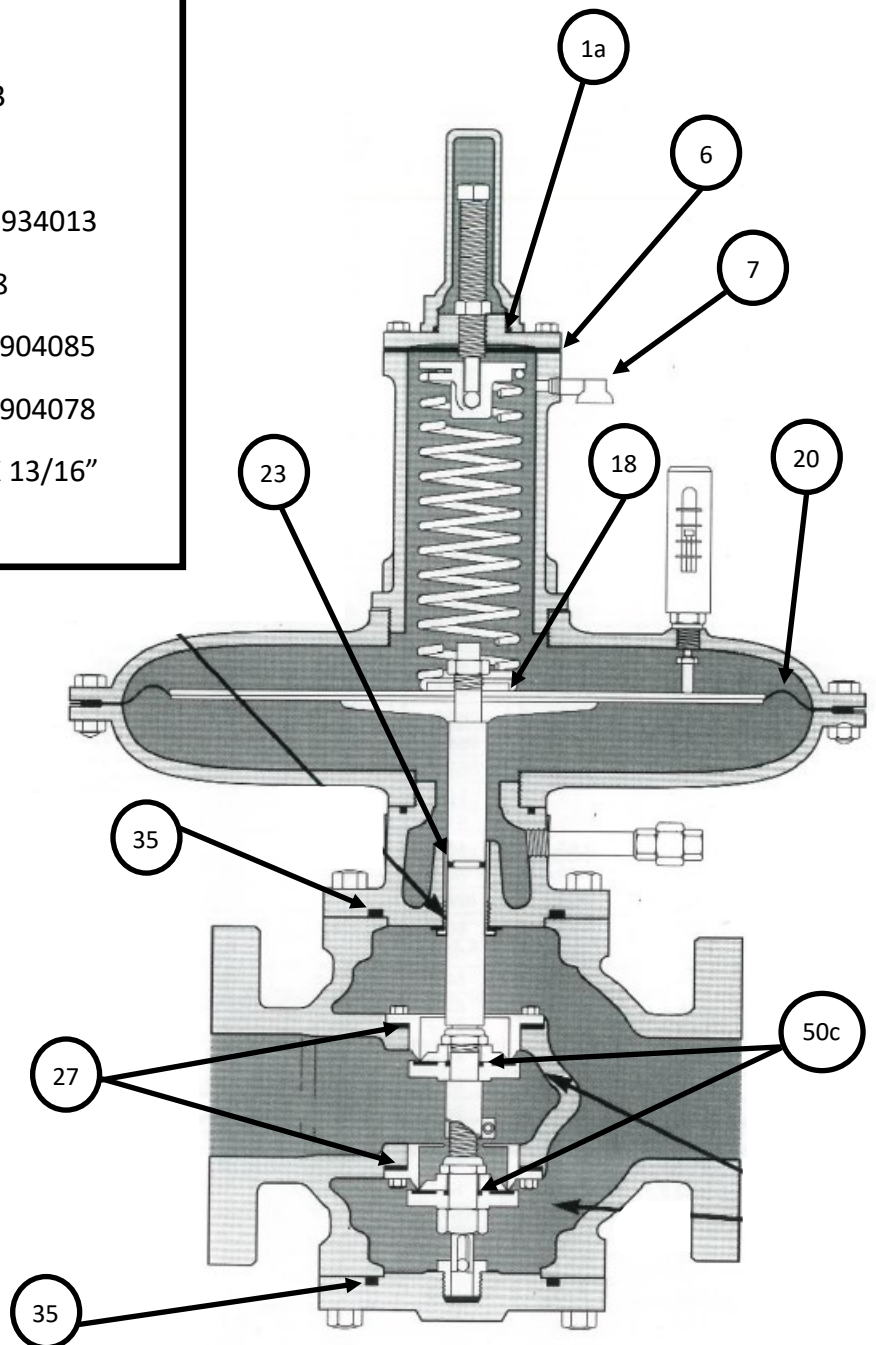


Kit Includes:

- 1a. Tetraseal, 1-3/4" X 2" PN: 904092
- 6. Spring Cage Cover Gasket PN: 090-16-066-30
- 7. Vent Cap 1/4" PN: 137-02-505-02
- 18. Qty. (2) Seal Gasket PN: 014-76-179-03
- 20. Diaphragm 10" PN: 090-70-150-20
- 23. Stem O-ring, 11/16" I.D 7/8" O.D. PN: 934013
- 27. Qty. (2) O-ring, For Orifices PN: 950818
- 35. Qty. (2) Tetraseal, 4-3/8" X 4-5/8" PN: 904085
- 39. Qty. (2) Tetraseal, 3-1/4" X 3-1/2" PN: 904078
- 50c. Qty. (2) O-ring For Valve Seats, 5/8" X 13/16" PN: 934012



Side Inspection Plate



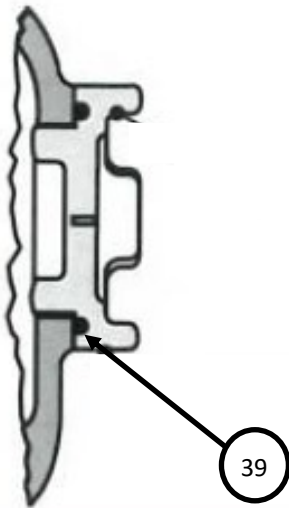
3"-441-S 12" Case

Wetted Parts Kit

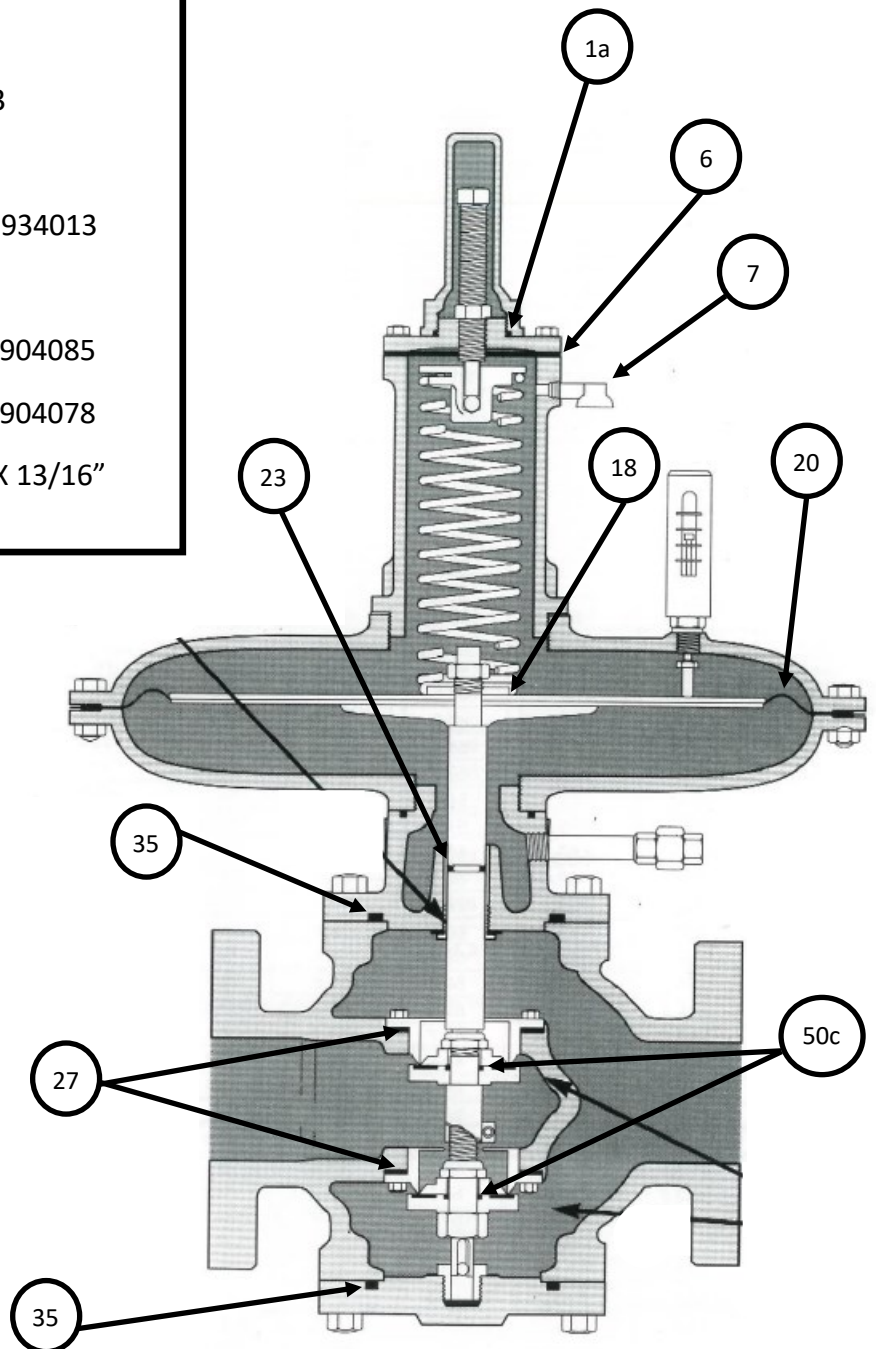


Kit Includes:

- 1a. Tetraseal, 1-3/4" X 2" PN: 904092
- 6. Spring Cage Cover Gasket PN: 090-16-066-30
- 7. Vent Cap 1/4" PN: 137-02-505-02
- 18. Qty. (2) Seal Gasket PN: 014-76-179-03
- 20. Diaphragm 12" PN: 090-71-150-20
- 23. Stem O-ring, 11/16" I.D 7/8" O.D. PN: 934013
- 27. Qty. (2) O-ring, For Orifice PN: 950818
- 35. Qty. (2) Tetraseal, 4-3/8" X 4-5/8" PN: 904085
- 39. Qty. (2) Tetraseal, 3-1/4" X 3-1/2" PN: 904078
- 50c. Qty. (2) O-ring For Valve Seats, 5/8" X 13/16" PN: 934012



Side Inspection Plate



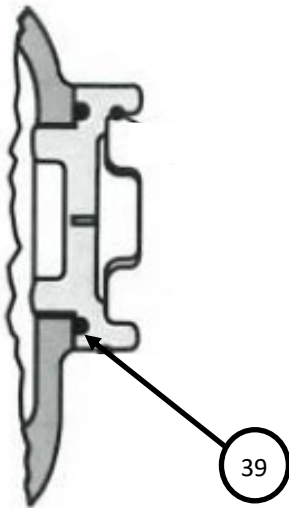
3"-441-S 14" Case

Wetted Parts Kit

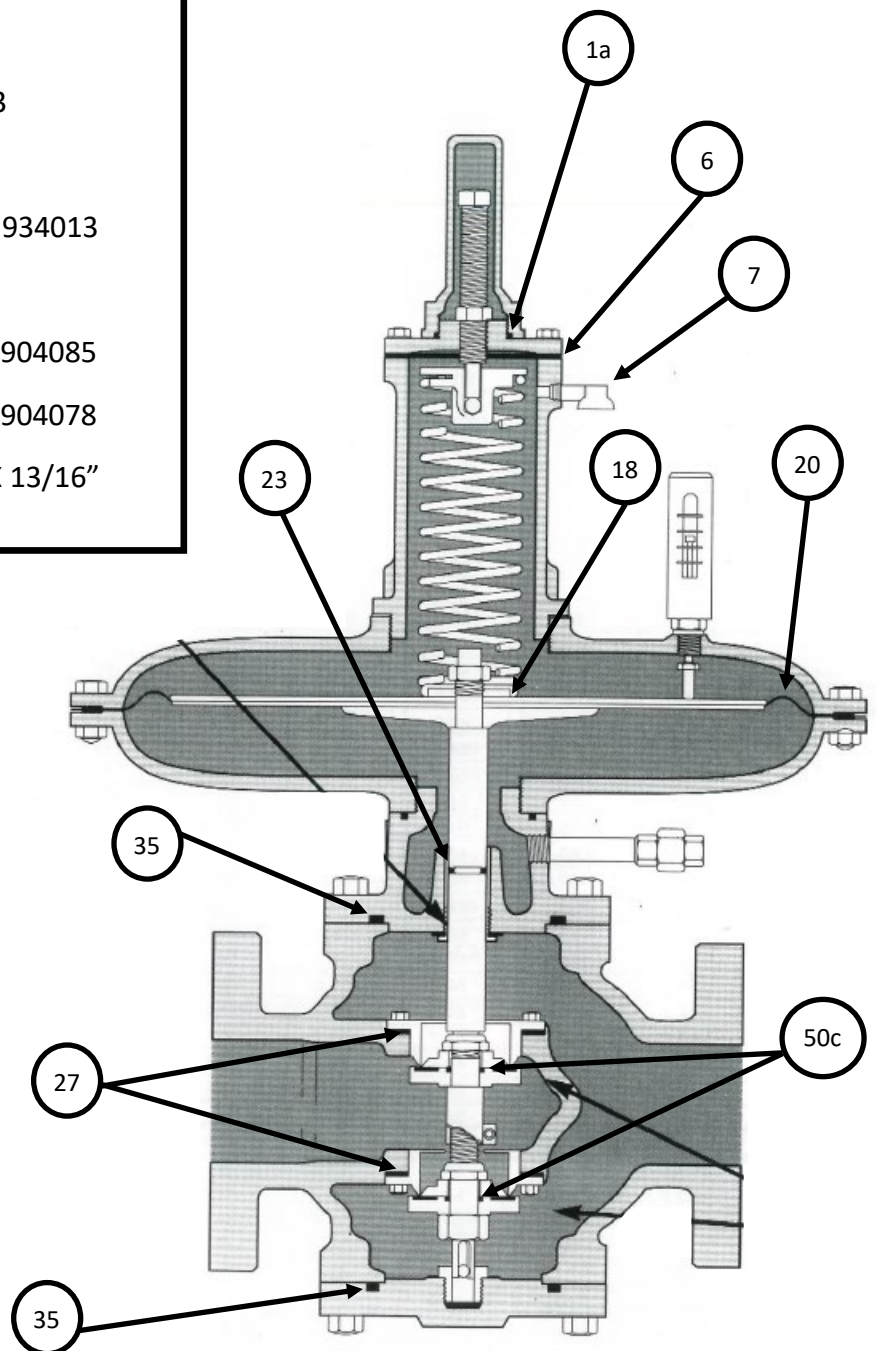


Kit Includes:

- 1a. Tetraseal, 1-3/4" X 2" PN: 904092
- 6. Spring Cage Cover Gasket PN: 090-16-066-30
- 7. Vent Cap 1/4" PN: 137-02-505-02
- 18. Qty. (2) Seal Gasket PN: 014-76-179-03
- 20. Diaphragm 14" PN: 090-72-150-20
- 23. Stem O-ring, 11/16" I.D 7/8" O.D. PN: 934013
- 27. Qty. (2) O-ring, For Orifice PN: 950818
- 35. Qty. (2) Tetraseal, 4-3/8" X 4-5/8" PN: 904085
- 39. Qty. (2) Tetraseal, 3-1/4" X 3-1/2" PN: 904078
- 50c. Qty. (2) O-ring For Valve Seats, 5/8" X 13/16"



Side Inspection Plate



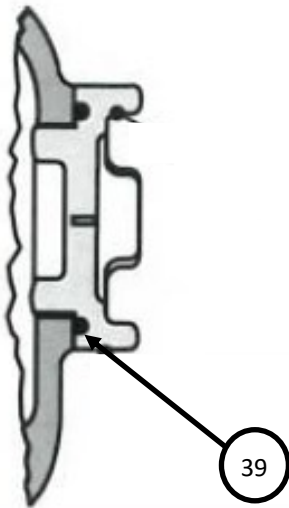
3"-441-S 16" Case

Wetted Parts Kit

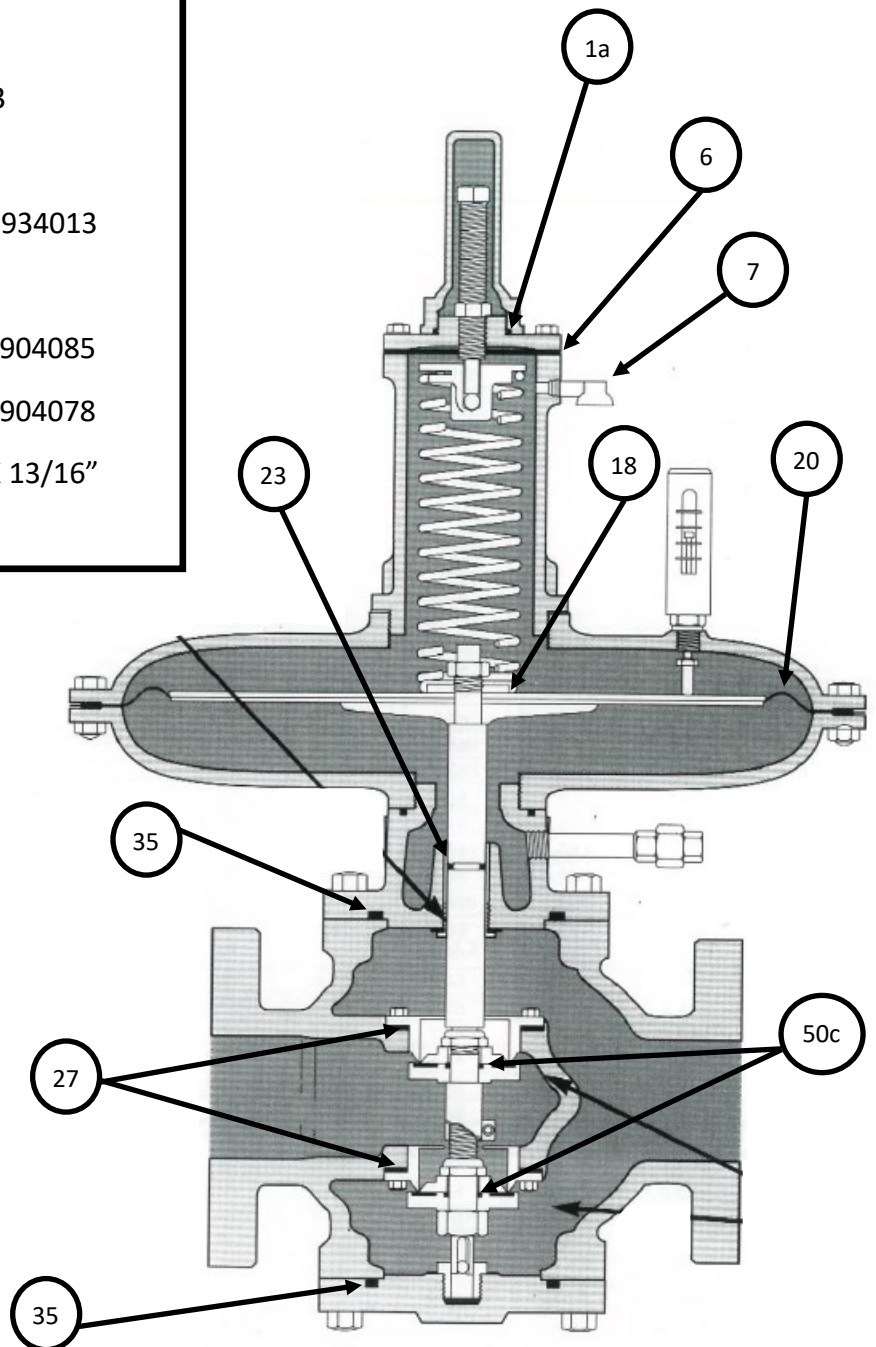


Kit Includes:

- 1a. Tetraseal, 1-3/4" X 2" PN: 904092
- 6. Spring Cage Cover Gasket PN: 090-16-066-30
- 7. Vent Cap 1/4" PN: 137-02-505-02
- 18. Qty. (2) Seal Gasket PN: 014-76-179-03
- 20. Diaphragm 16" PN: 090-73-150-20
- 23. Stem O-ring, 11/16" I.D 7/8" O.D. PN: 934013
- 27. Qty. (2) O-ring, For Orifice PN: 950818
- 35. Qty. (2) Tetraseal, 4-3/8" X 4-5/8" PN: 904085
- 39. Qty. (2) Tetraseal, 3-1/4" X 3-1/2" PN: 904078
- 50c. Qty. (2) O-ring For Valve Seats, 5/8" X 13/16" PN: 934012



Side Inspection Plate



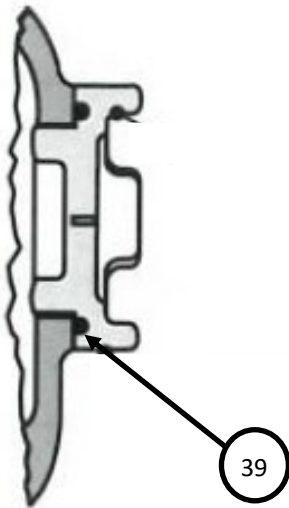
3"-441-S 18" Case

Wetted Parts Kit

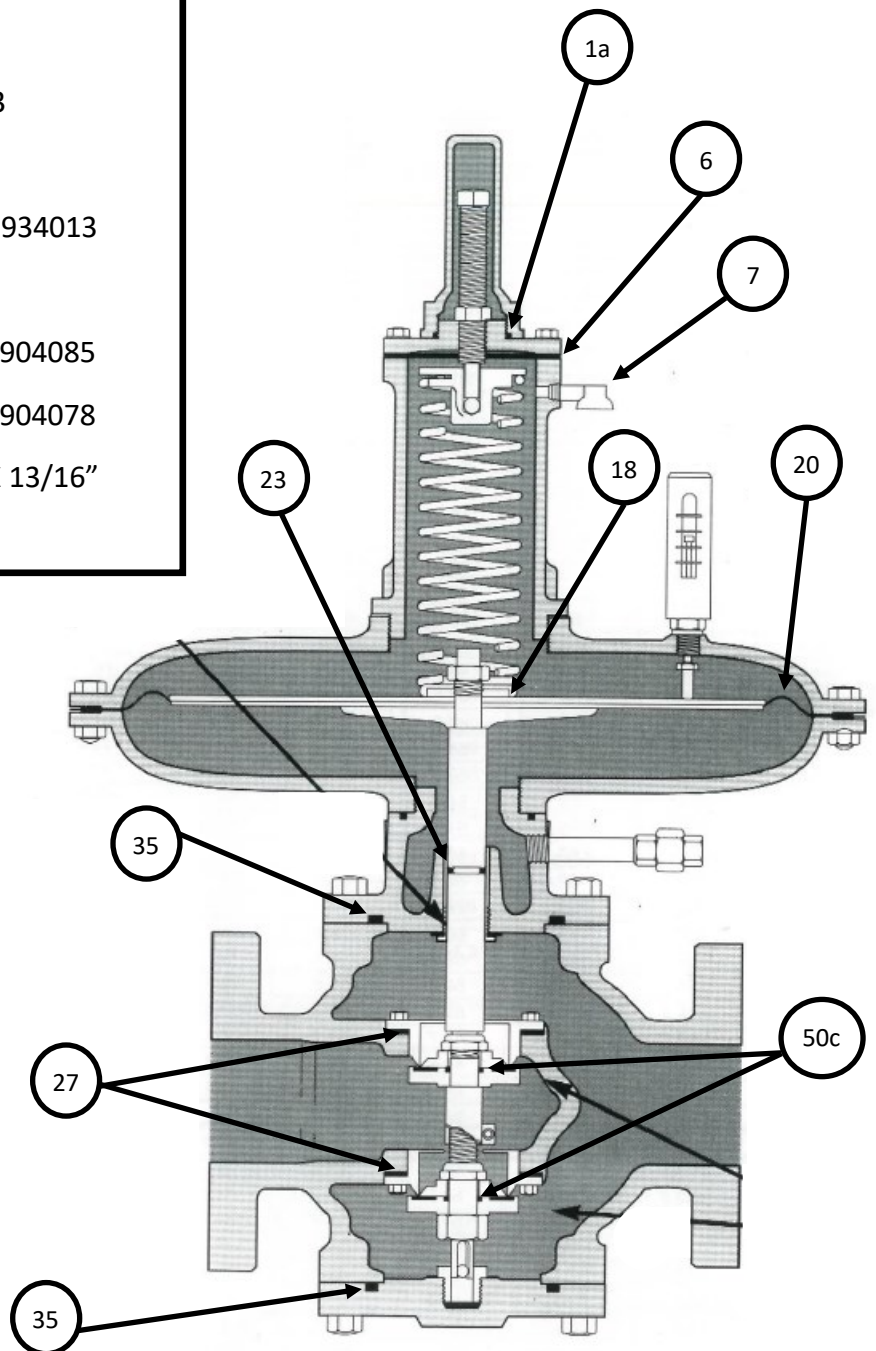


Kit Includes:

- 1a. Tetraseal, 1-3/4" X 2" PN: 904092
- 6. Spring Cage Cover Gasket PN: 090-16-066-30
- 7. Vent Cap 1/4" PN: 137-02-505-02
- 18. Qty. (2) Seal Gasket PN: 014-76-179-03
- 20. Diaphragm 18" PN: 090-74-150-20
- 23. Stem O-ring, 11/16" I.D 7/8" O.D. PN: 934013
- 27. Qty. (2) O-ring, For Orifice PN: 950818
- 35. Qty. (2) Tetraseal, 4-3/8" X 4-5/8" PN: 904085
- 39. Qty. (2) Tetraseal, 3-1/4" X 3-1/2" PN: 904078
- 50c. Qty. (2) O-ring For Valve Seats, 5/8" X 13/16" PN: 934012



Side Inspection Plate



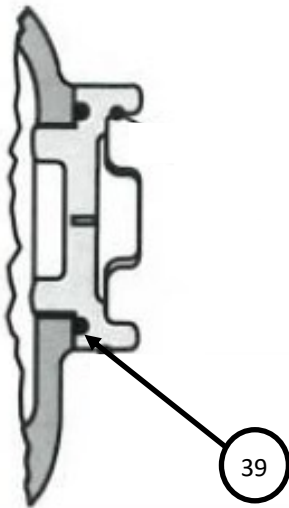
4"-441-S 10" Case

Wetted Parts Kit

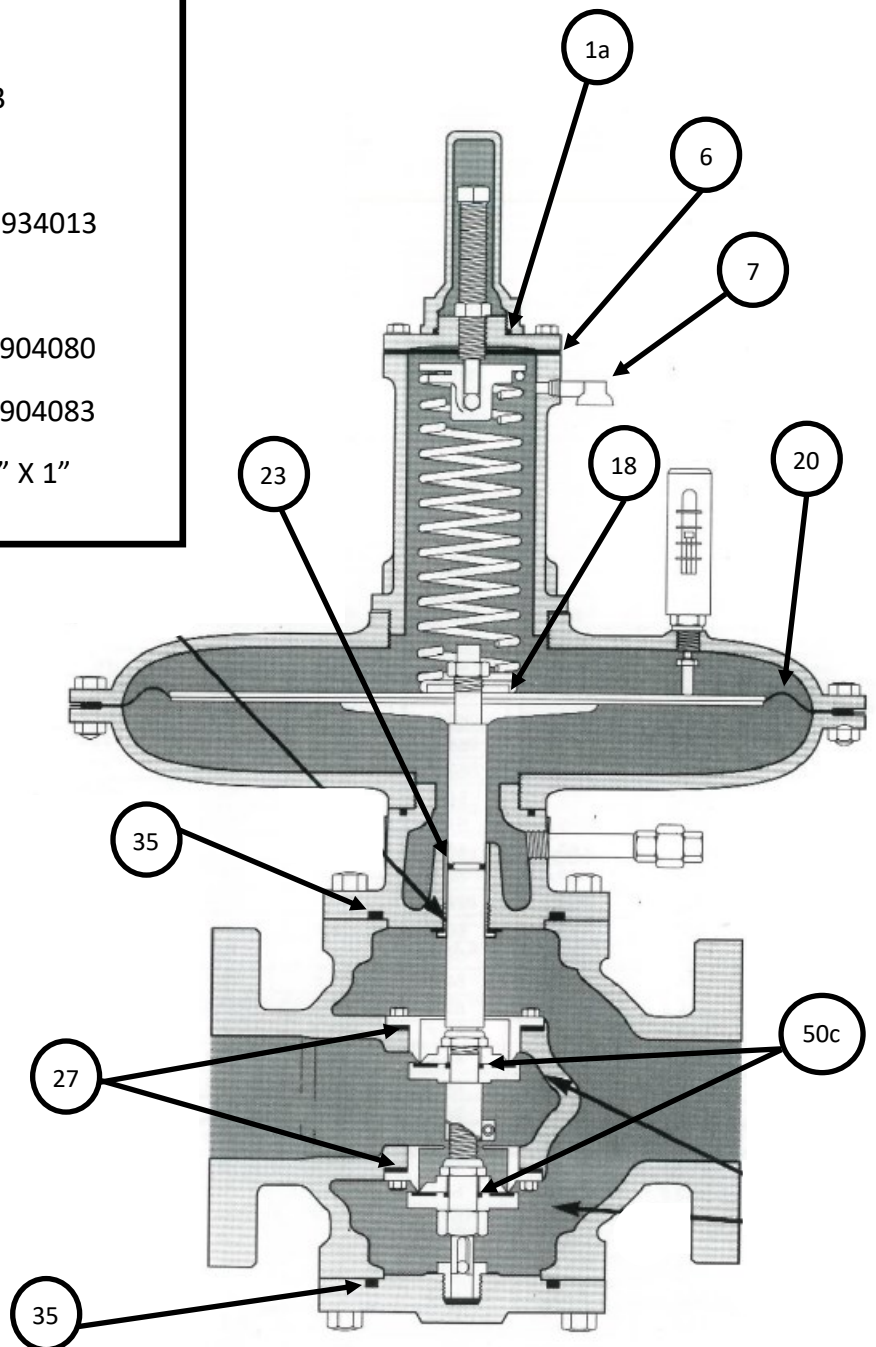


Kit Includes:

- 1a. Tetraseal, 1-3/4" X 2" PN: 904092
- 6. Spring Cage Cover Gasket PN: 090-16-066-30
- 7. Vent Cap 1/4" PN: 137-02-505-02
- 18. Qty. (2) Seal Gasket PN: 014-76-179-03
- 20. Diaphragm 10" PN: 090-70-150-20
- 23. Stem O-ring, 11/16" I.D 7/8" O.D. PN: 934013
- 27. Qty. (2) O-ring, For Orifice PN: 905583
- 35. Qty. (2) Tetraseal, 6-1/4" X 6-1/2" PN: 904080
- 39. Qty. (2) Tetraseal, 4-1/4" X 4-1/2" PN: 904083
- 50c. Qty. (2) O-ring For Valve Seats, 13/16" X 1"



Side Inspection Plate



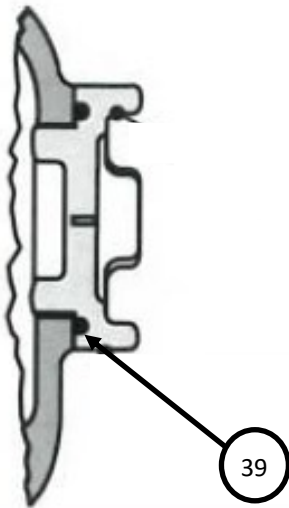
4"-441-S 12" Case

Wetted Parts Kit

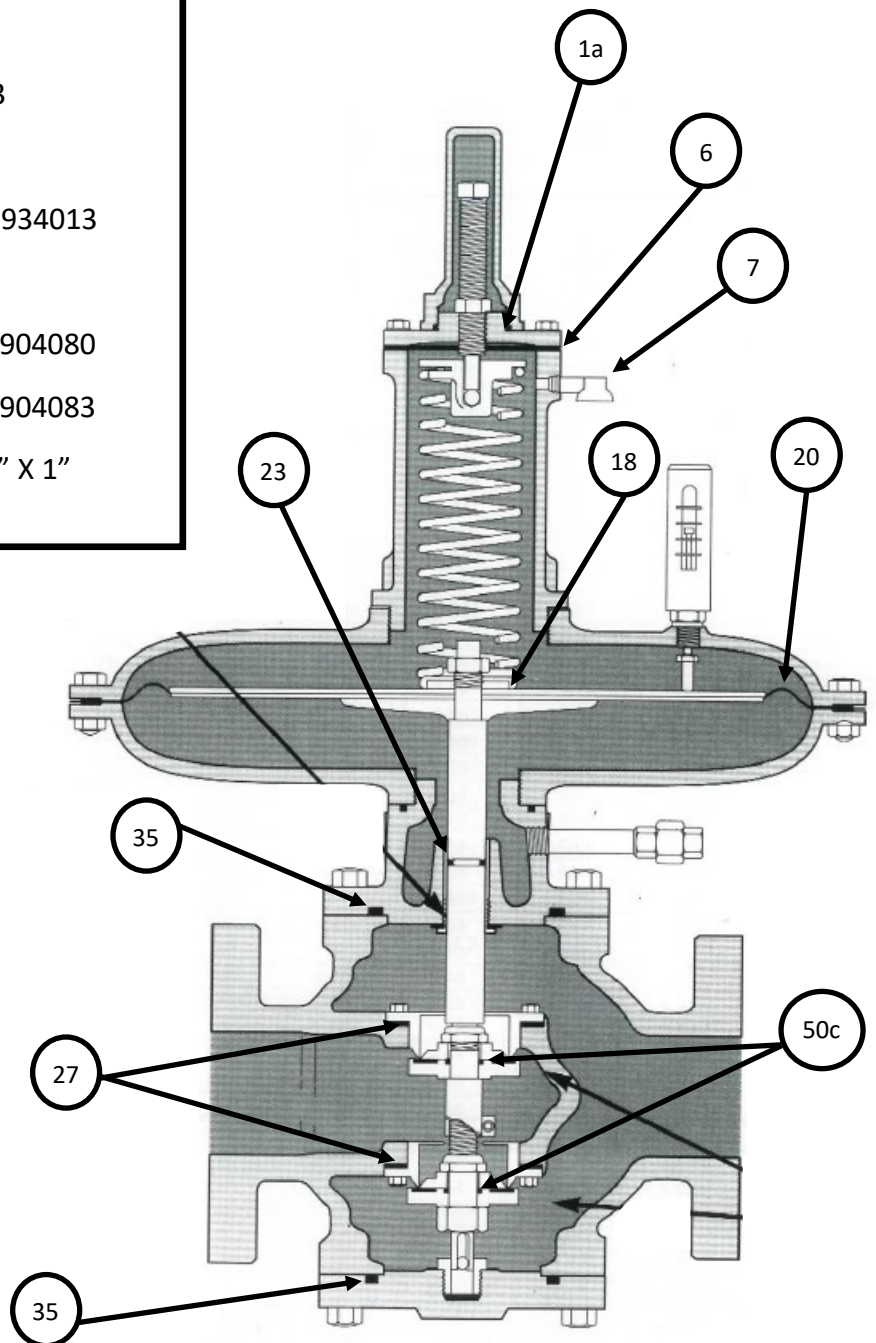


Kit Includes:

- 1a. Tetraseal, 1-3/4" X 2" PN: 904092
- 6. Spring Cage Cover Gasket PN: 090-16-066-30
- 7. Vent Cap 1/4" PN: 137-02-505-02
- 18. Qty. (2) Seal Gasket PN: 014-76-179-03
- 20. Diaphragm 12" PN: 090-71-150-20
- 23. Stem O-ring, 11/16" I.D 7/8" O.D. PN: 934013
- 27. Qty. (2) O-ring, For Orifice PN: 905583
- 35. Qty. (2) Tetraseal, 6-1/4" X 6-1/2" PN: 904080
- 39. Qty. (2) Tetraseal, 4-1/4" X 4-1/2" PN: 904083
- 50c. Qty. (2) O-ring For Valve Seats, 13/16" X 1" PN: 904173



Side Inspection Plate



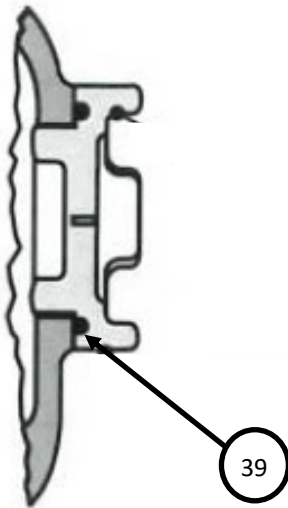
4"-441-S 14" Case

Wetted Parts Kit

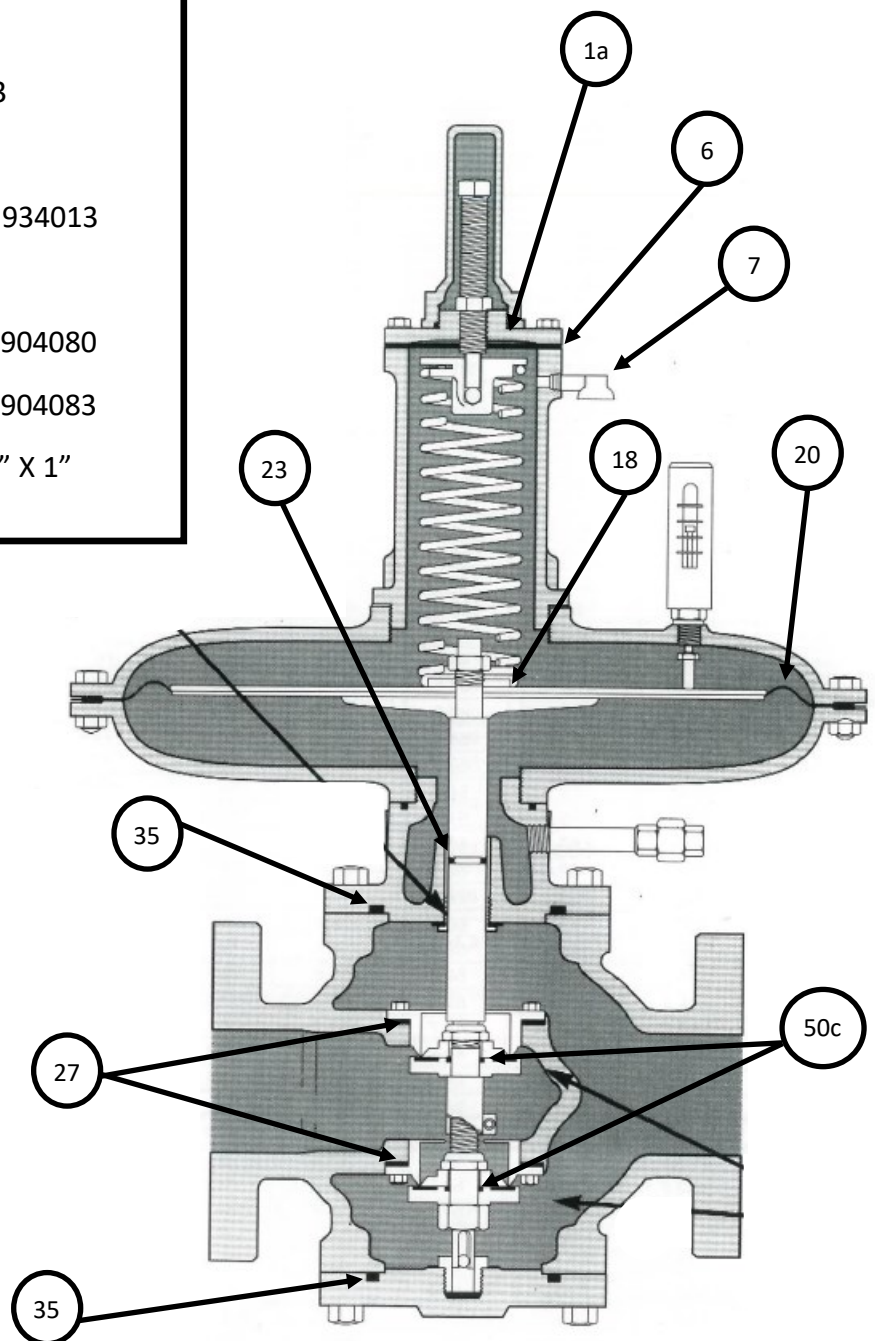


Kit Includes:

- 1a. Tetraseal, 1-3/4" X 2" PN: 904092
- 6. Spring Cage Cover Gasket PN: 090-16-066-30
- 7. Vent Cap 1/4" PN: 137-02-505-02
- 18. Qty. (2) Seal Gasket PN: 014-76-179-03
- 20. Diaphragm 14" PN: 090-72-150-20
- 23. Stem O-ring, 11/16" I.D 7/8" O.D. PN: 934013
- 27. Qty. (2) O-ring, For Orifice PN: 905583
- 35. Qty. (2) Tetraseal, 6-1/4" X 6-1/2" PN: 904080
- 39. Qty. (2) Tetraseal, 4-1/4" X 4-1/2" PN: 904083
- 50c. Qty. (2) O-ring For Valve Seats, 13/16" X 1"



Side Inspection Plate



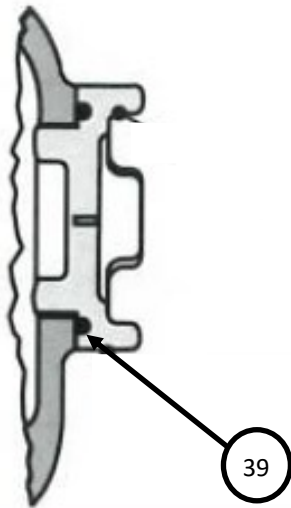
4"-441-S 16" Case

Wetted Parts Kit

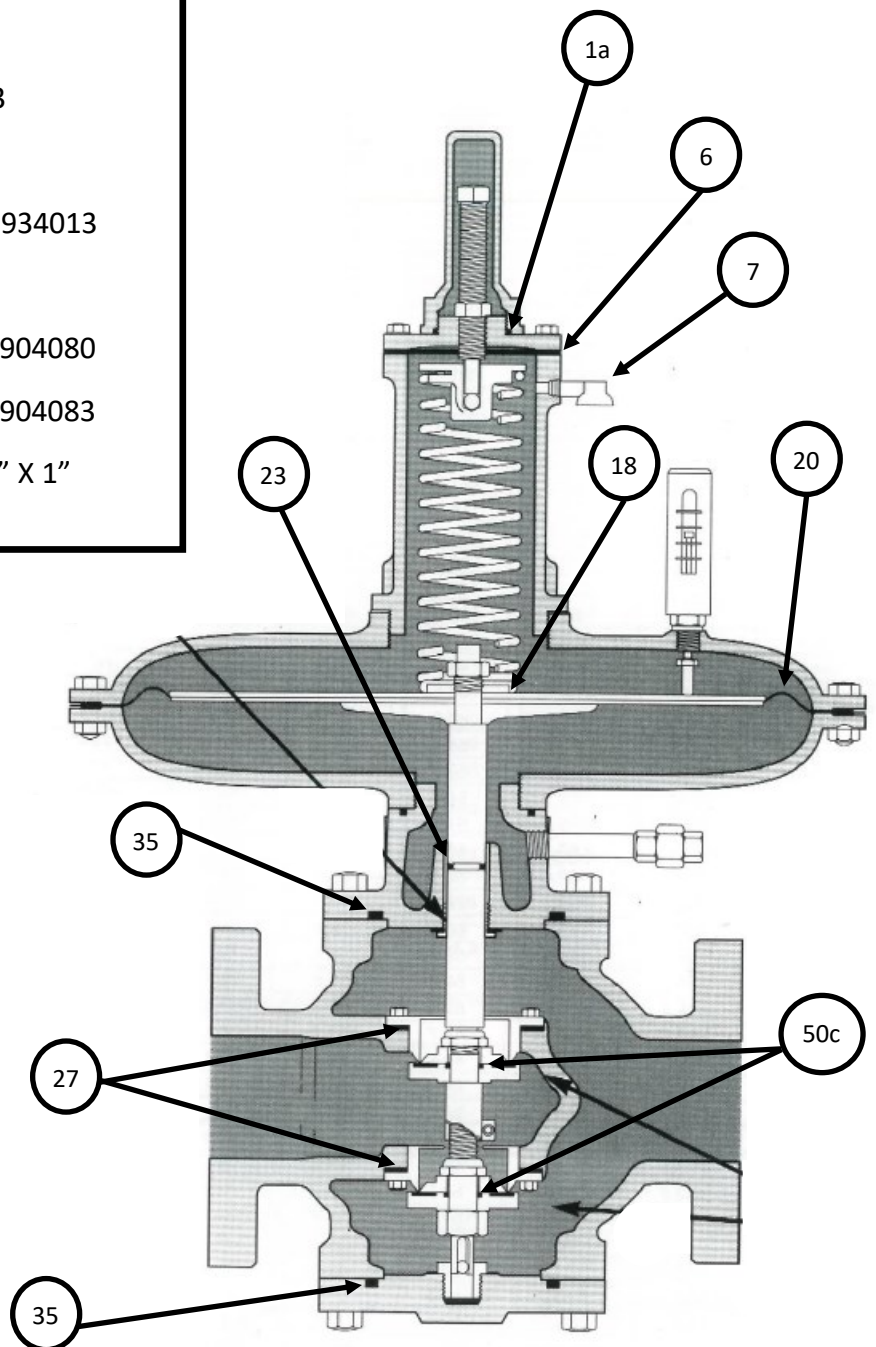


Kit Includes:

- 1a. Tetraseal, 1-3/4" X 2" PN: 904092
- 6. Spring Cage Cover Gasket PN: 090-16-066-30
- 7. Vent Cap 1/4" PN: 137-02-505-02
- 18. Qty. (2) Seal Gasket PN: 014-76-179-03
- 20. Diaphragm 16" PN: 090-73-150-20
- 23. Stem O-ring, 11/16" I.D 7/8" O.D. PN: 934013
- 27. Qty. (2) O-ring, For Orifice PN: 905583
- 35. Qty. (2) Tetraseal, 6-1/4" X 6-1/2" PN: 904080
- 39. Qty. (2) Tetraseal, 4-1/4" X 4-1/2" PN: 904083
- 50c. Qty. (2) O-ring For Valve Seats, 13/16" X 1" PN: 904173



Side Inspection Plate



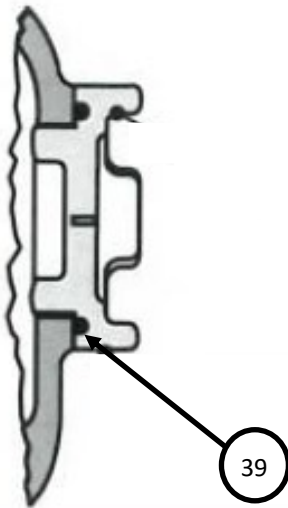
4"-441-S 18" Case

Wetted Parts Kit

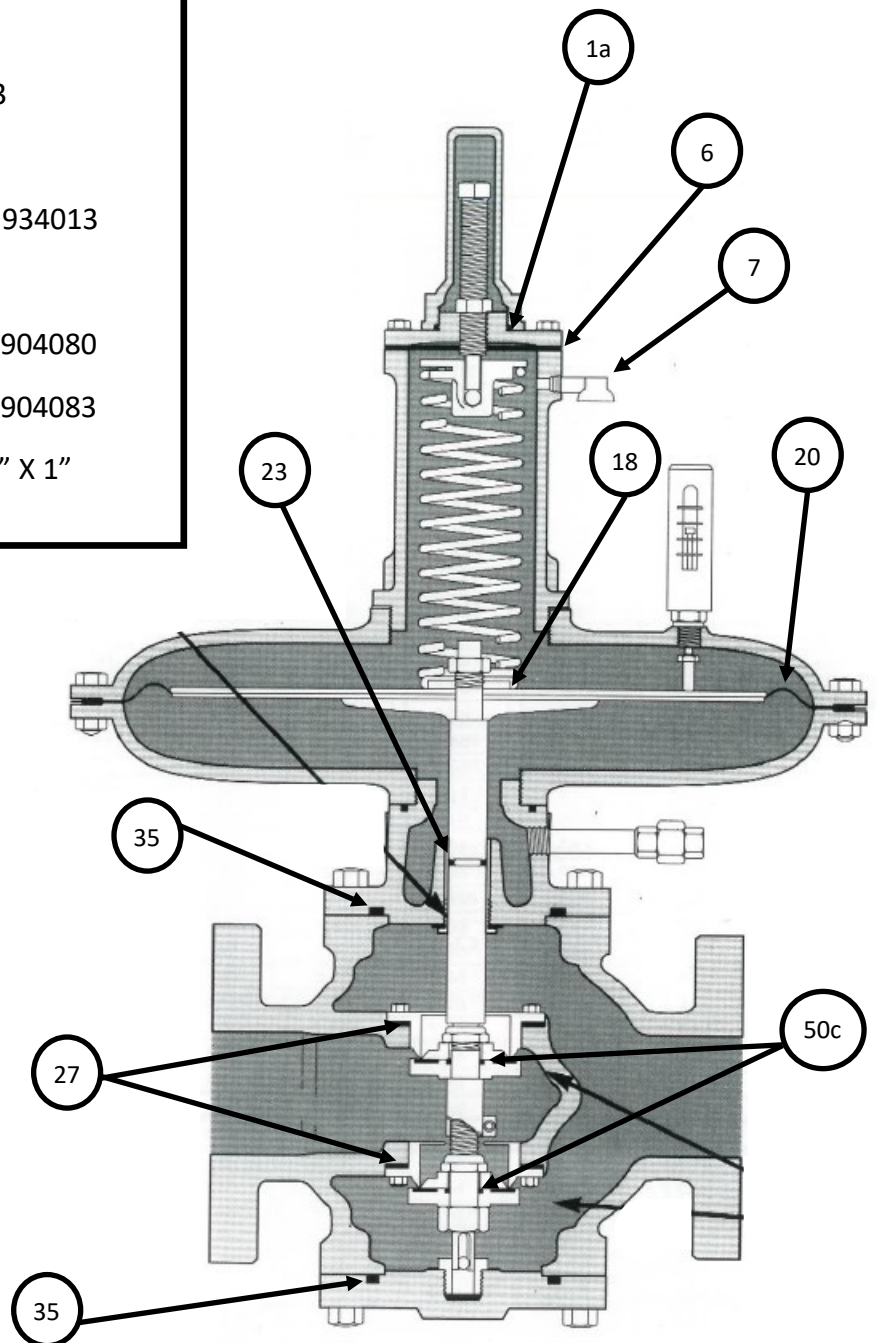


Kit Includes:

- 1a. Tetraseal, 1-3/4" X 2" PN: 904092
- 6. Spring Cage Cover Gasket PN: 090-16-066-30
- 7. Vent Cap 1/4" PN: 137-02-505-02
- 18. Qty. (2) Seal Gasket PN: 014-76-179-03
- 20. Diaphragm 18" PN: 090-74-150-20
- 23. Stem O-ring, 11/16" I.D 7/8" O.D. PN: 934013
- 27. Qty. (2) O-ring, For Orifice PN: 905583
- 35. Qty. (2) Tetraseal, 6-1/4" X 6-1/2" PN: 904080
- 39. Qty. (2) Tetraseal, 4-1/4" X 4-1/2" PN: 904083
- 50c. Qty. (2) O-ring For Valve Seats, 13/16" X 1" PN: 904173



Side Inspection Plate



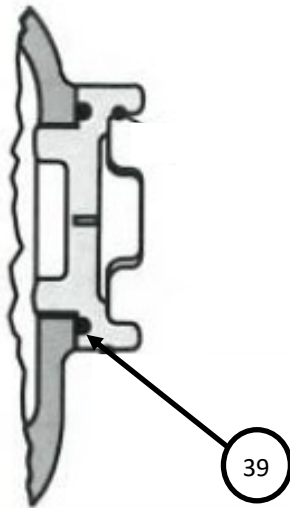
4"-441-S 20" Case

Wetted Parts Kit

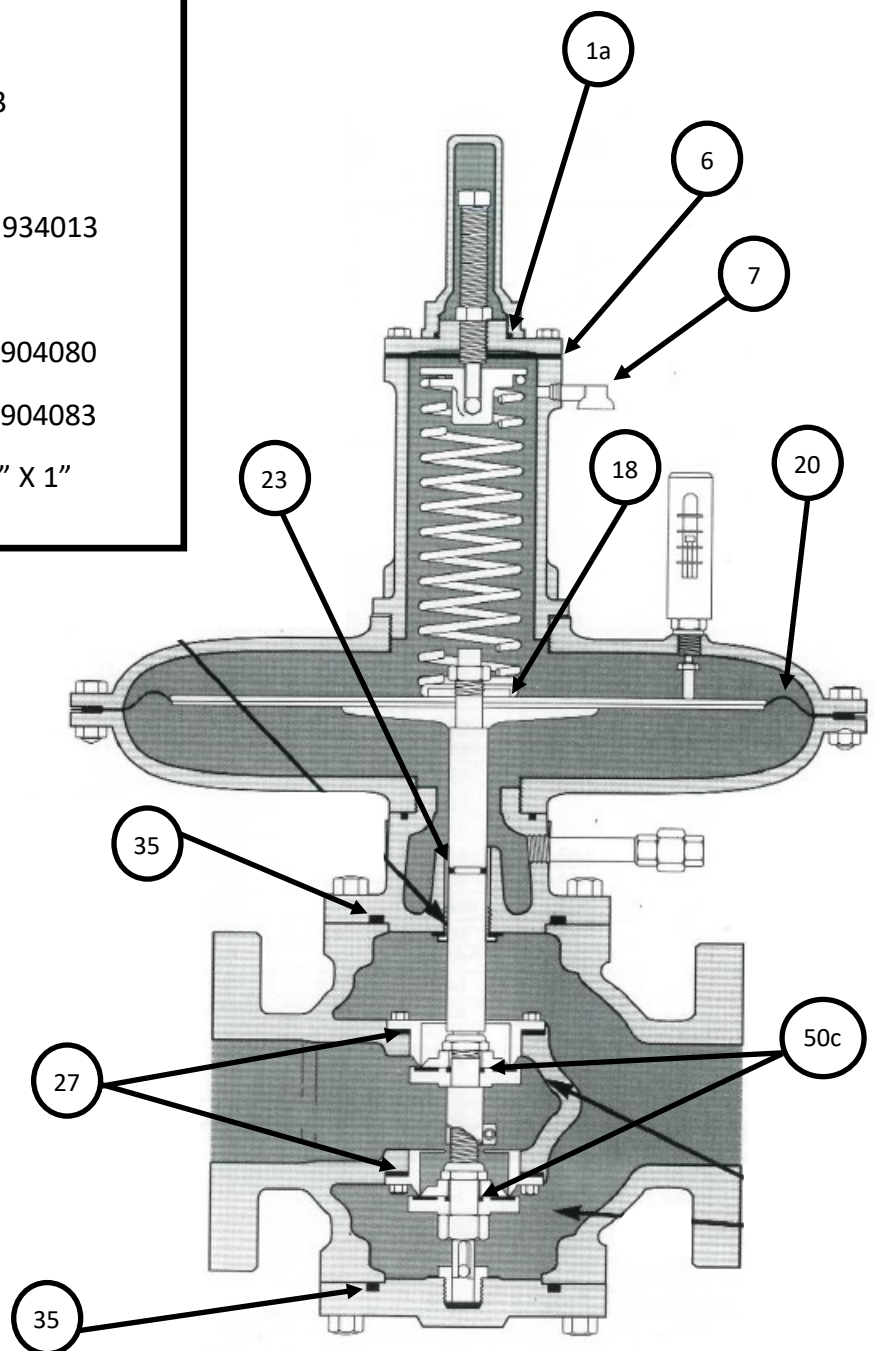


Kit Includes:

- 1a. Tetraseal, 1-3/4" X 2" PN: 904092
- 6. Spring Cage Cover Gasket PN: 090-16-066-30
- 7. Vent Cap 1/4" PN: 137-02-505-02
- 18. Qty. (2) Seal Gasket PN: 014-76-179-03
- 20. Diaphragm 20" PN: 090-75-150-20
- 23. Stem O-ring, 11/16" I.D 7/8" O.D. PN: 934013
- 27. Qty. (2) O-ring, For Orifice PN: 905583
- 35. Qty. (2) Tetraseal, 6-1/4" X 6-1/2" PN: 904080
- 39. Qty. (2) Tetraseal, 4-1/4" X 4-1/2" PN: 904083
- 50c. Qty. (2) O-ring For Valve Seats, 13/16" X 1"



Side Inspection Plate



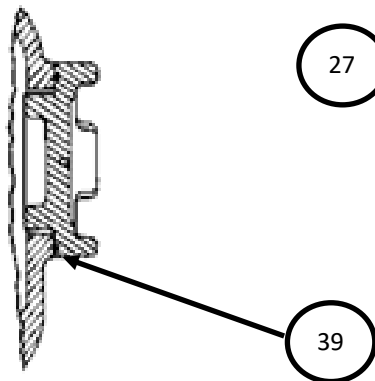
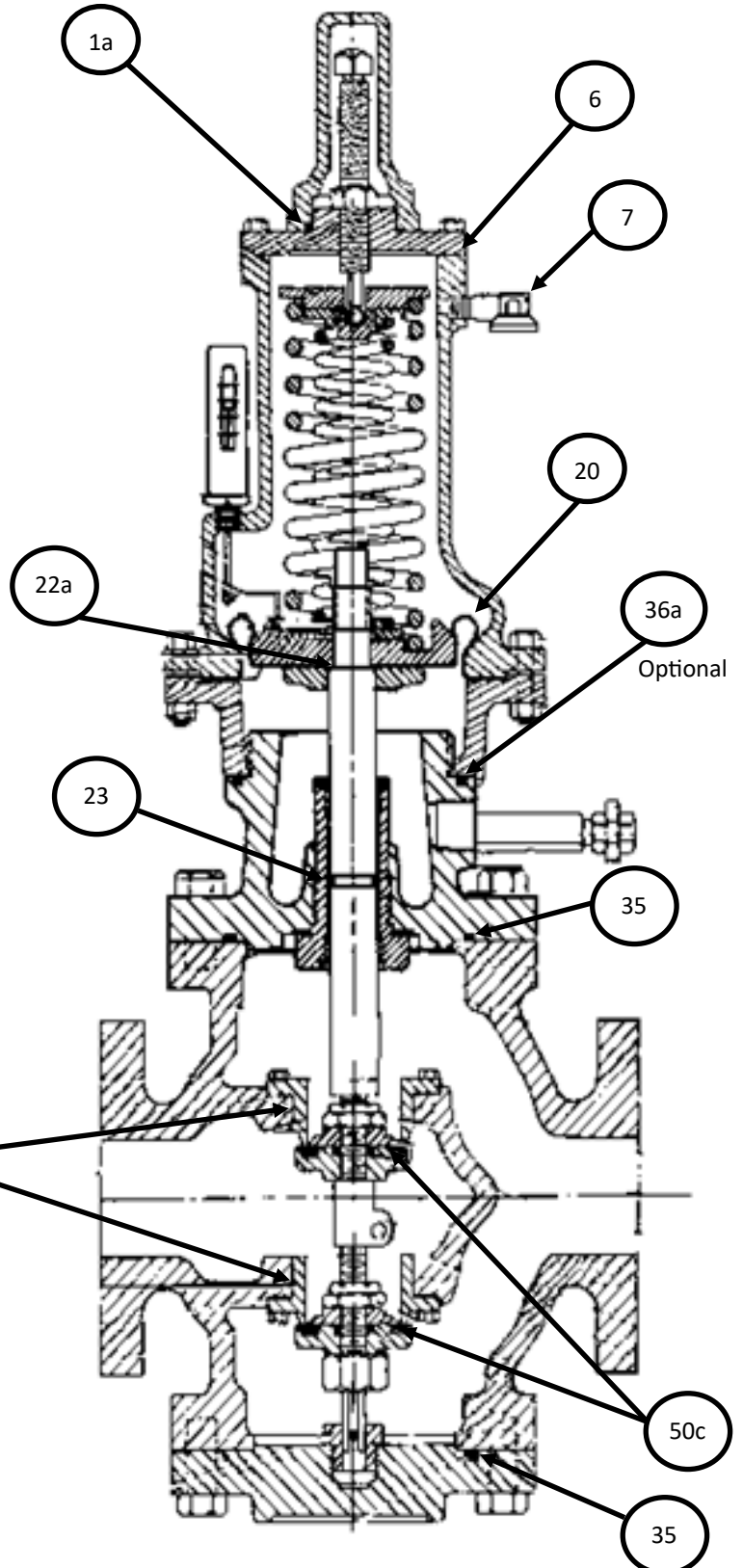
2-441-57S

Wetted Parts Kit



Kit Includes:

- 1a. Tetraseal 1-3/4" X 2" PN: 904092
- 6. Housing Cover Gasket PN: 091-00-066-30
- 7. Vent Cap 1/4" PN: 137-02-505-02
- 20. Diaphragm, 5" Roll-Out PN: 091-00-350-00
- 22a. O-Ring, 5/8" X 3/4" PN: 902922
- 23. Stem O-ring, 11/16" X 7/8" PN: 934013
- 27. Qty (2) O-ring For Orifices 2-7/16 X 2-5/8" PN: 904832
- 35. Qty. (2) Tetraseal 4-3/8" X 4-5/8" PN: 904085
- 36a. Tetraseal, 4" X 4-1/4" PN: 904084
- 39. Qty. (2) Tetraseal, 3-1/4" X 3-1/2" PN:904078
- 50c. Qty. (2) O-ring, 5/8" X 13-3/16" PN: 934012



Side Inspection Plate

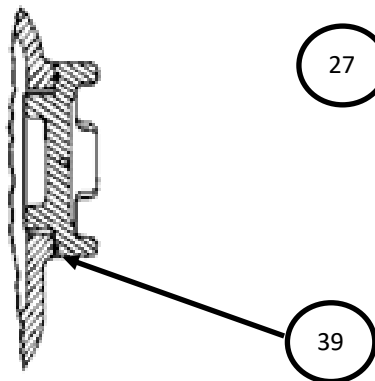
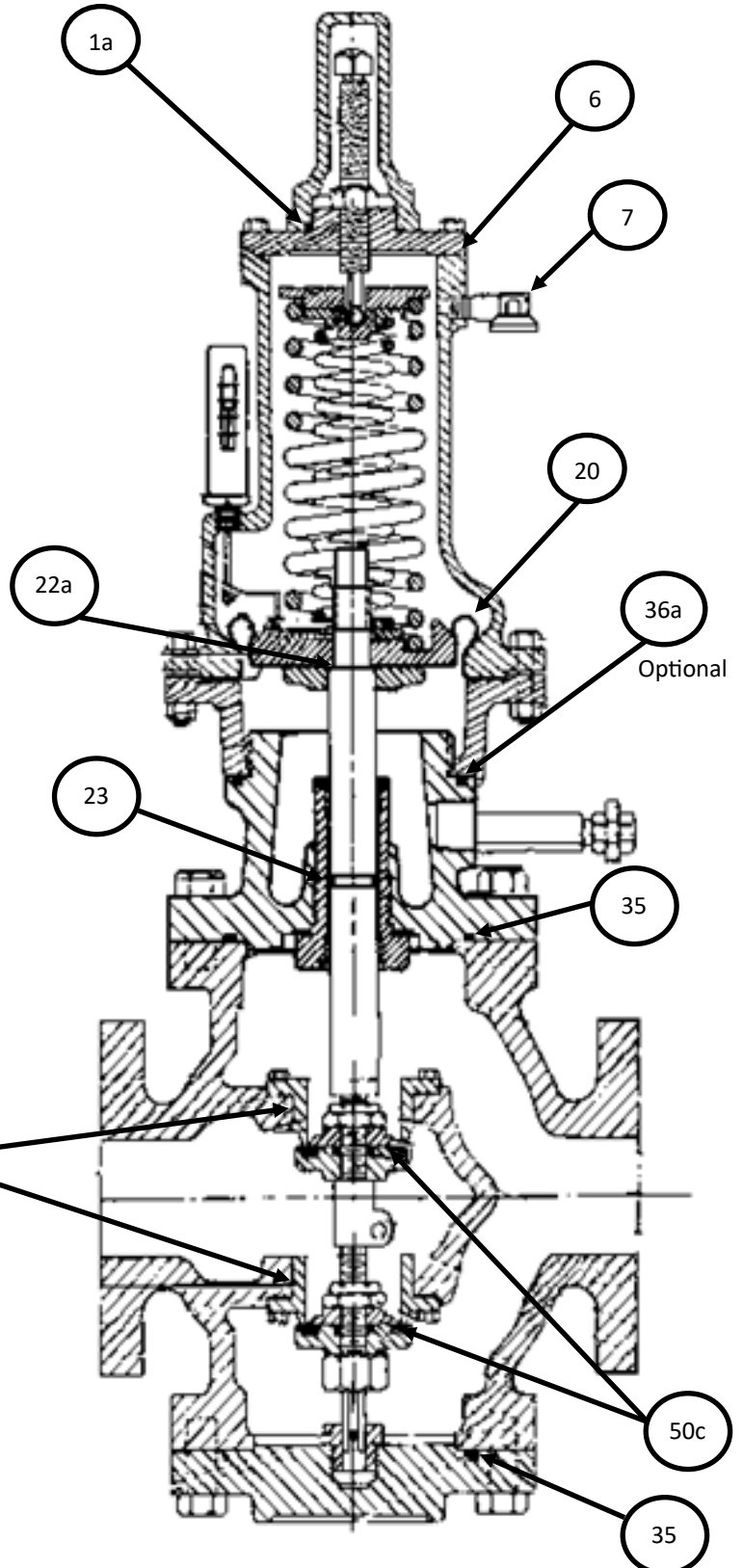
3-441-57S

Wetted Parts Kit



Kit Includes:

- 1a. Tetraseal 1-3/4" X 2" PN: 904092
- 6. Housing Cover Gasket PN: 091-00-066-30
- 7. Vent Cap 1/4" PN: 137-02-505-02
- 20. Diaphragm, 5" Roll-Out PN: 091-00-350-00
- 22a. O-Ring, 5/8" X 3/4" PN: 902922
- 23. Stem O-ring, 11/16" X 7/8" PN: 934013
- 27. Qty (2) O-ring For Orifices PN: 950818
- 35. Qty. (2) Tetraseal 4-3/8" X 4-5/8" PN: 904085
- 36a. Tetraseal, 4" X 4-1/4" PN: 904084
- 39. Qty. (2) Tetraseal, 3-1/4" X 3-1/2" PN: 904078
- 50c. Qty. (2) O-ring, 5/8" X 13-3/16" PN: 934012



Side Inspection Plate

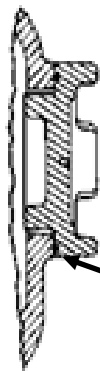
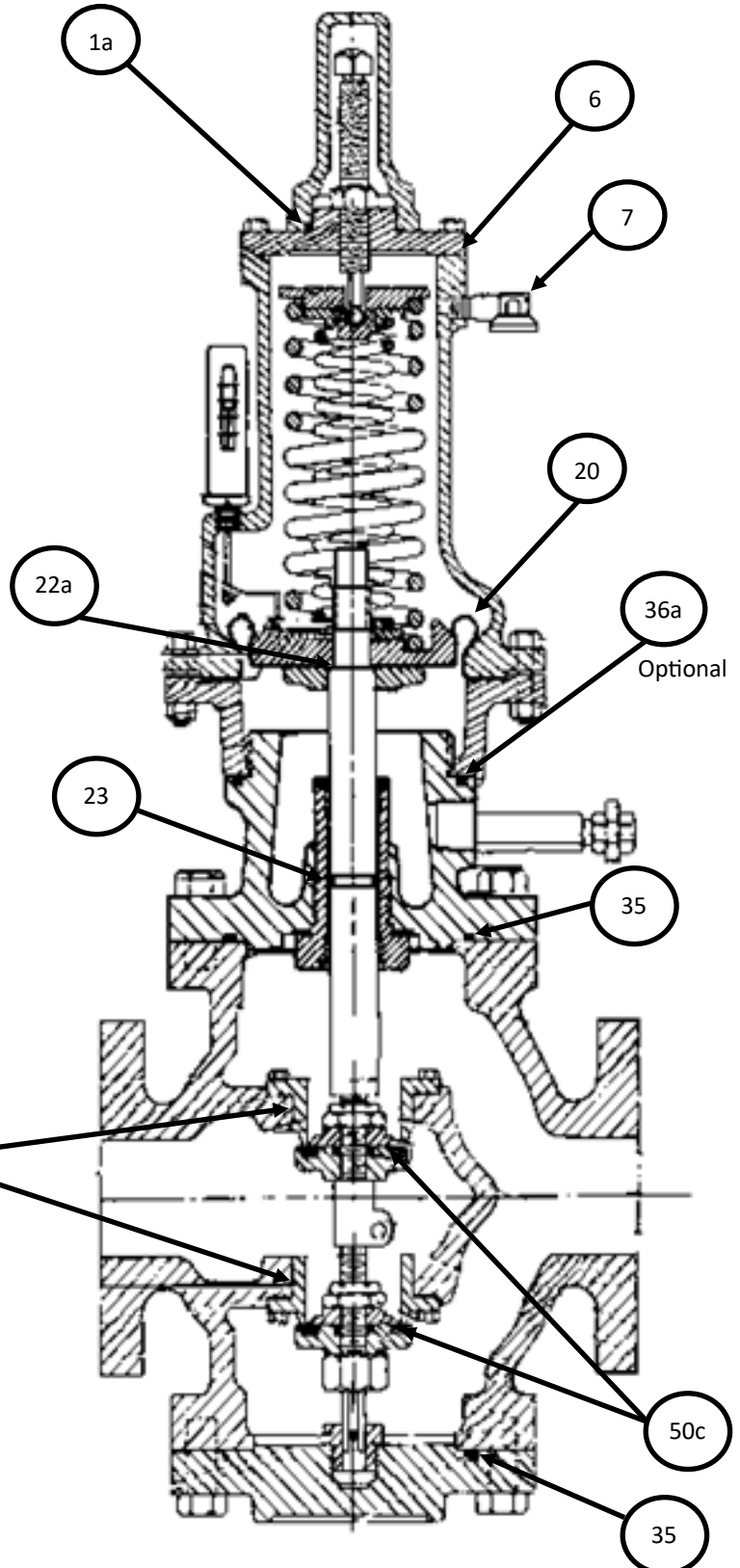
4-441-57S

Wetted Parts Kit



Kit Includes:

- 1a. Tetraseal 1-3/4" X 2" PN: 904092
- 6. Housing Cover Gasket PN: 091-00-066-30
- 7. Vent Cap 1/4" PN: 137-02-505-02
- 20. Diaphragm, 5" Roll-Out PN: 091-00-350-00
- 22a. O-Ring, 5/8" X 3/4" PN: 902922
- 23. Stem O-ring, 11/16" X 7/8" PN: 934013
- 27. Qty (2) O-ring For Orifices 3-1/2" X 3-11/16" PN: 905583
- 35. Qty. (2) Tetraseal 6-1/4" X 6-1/2" PN: 904080
- 36a. Tetraseal, 4" X 4-1/4" PN: 904084
- 39. Qty. (2) Tetraseal, 4-1/4" X 4-1/2" PN: 904083
- 50c. Qty. (2) O-ring, 3/16" X 1" PN: 904173



Side Inspection Plate

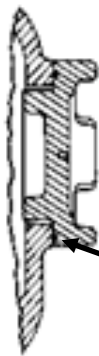
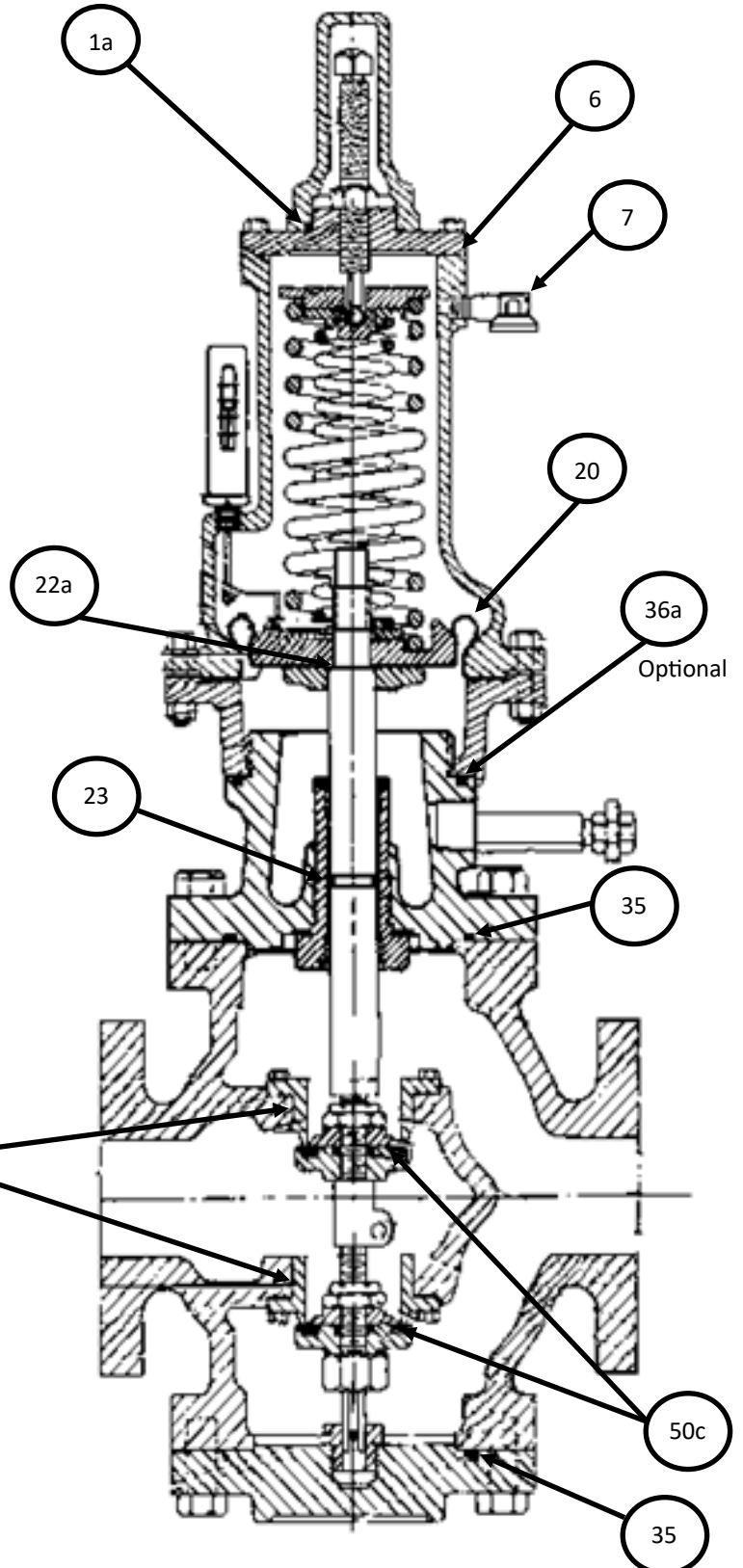
6-441-57S

Wetted Parts Kit



Kit Includes:

- 1a. Tetraseal 1-3/4" X 2" PN: 904092
- 6. Housing Cover Gasket PN: 091-00-066-30
- 7. Vent Cap 1/4" PN: 137-02-505-02
- 20. Diaphragm, 5" Roll-Out PN: 091-00-350-00
- 22a. O-Ring, 5/8" X 3/4" PN: 902922
- 23. Stem O-ring, 11/16" X 7/8" PN: 934013
- 27. Qty (2) O-ring For Orifices 4-3/4" X 4-15/16" PN: 906301
- 35. Qty. (2) Tetraseal 7-3/4" X 8" PN: 904088
- 36a. Tetraseal, 4" X 4-1/4" PN: 904084
- 39. Qty. (2) Tetraseal, 6" X 6-1/4" PN:904089
- 50c. Qty. (2) O-ring, 1-3/16" X 1-3/8" PN: 904173
- 50c. Qty. (2) O-ring, 5/8" X 13/16" For Reduced 2-1/8" Valve Only PN:934012



Side Inspection Plate

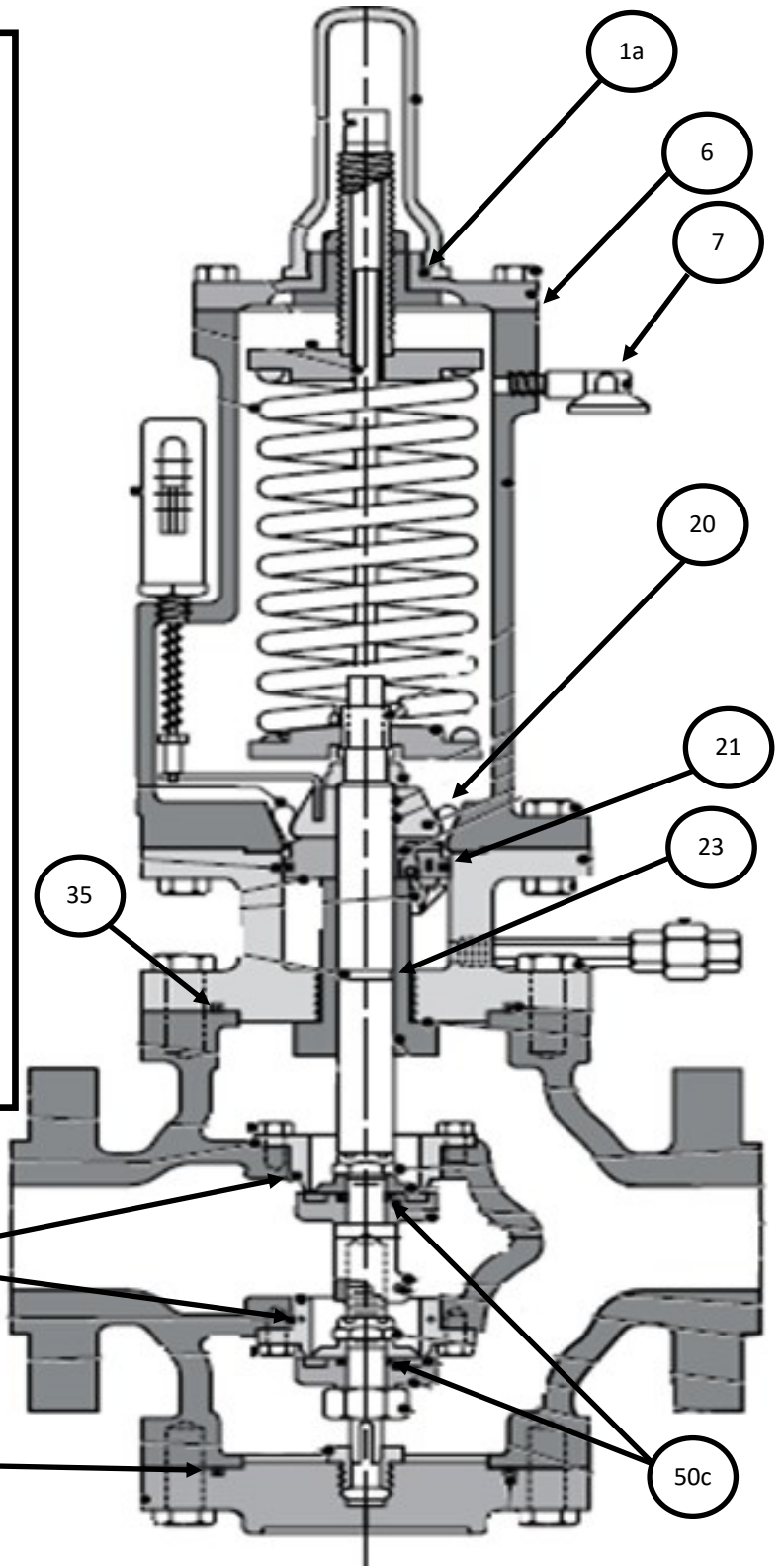
2-441-X57

Wetted Parts Kit

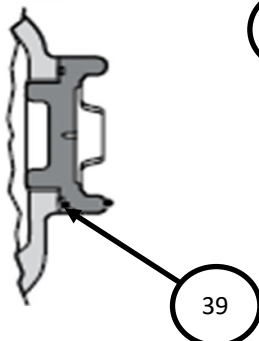


Kit Includes:

- 1a. Tetraseal 1-3/4" X 2" PN: 904092
- 6. Housing Cover Gasket PN: 091-00-066-30
- 7. Vent Cap 1/4" PN: 137-02-505-02
- 15. O-ring 3/4" ID X 7/8" OD #2-018 PN: 906611
(See Page 2 Of Parts Kit Document For Detail)
- 20. Diaphragm, 2-1/2" Roll-Out
PN: 091-00-350-50
- 21. O-Ring, 2-1/8" X 2-1/2" PN: 934033
- 23. Stem O-ring, 11/16" X 7/8" PN: 934013
- 27. Qty (2) O-ring For Orifices 2-7/16 X 2-5/8"
PN: 904832
- 35. Qty. (2) Tetraseal 4-3/8" X 4-5/8"
PN: 904085
- 39. Qty. (2) Tetraseal, 3-1/4" X 3-1/2"
PN: 904078
- 50c. Qty. (2) O-ring, 5/8" X 13-3/16" PN: 934012



**SIDE INSPECTION
PLATE**



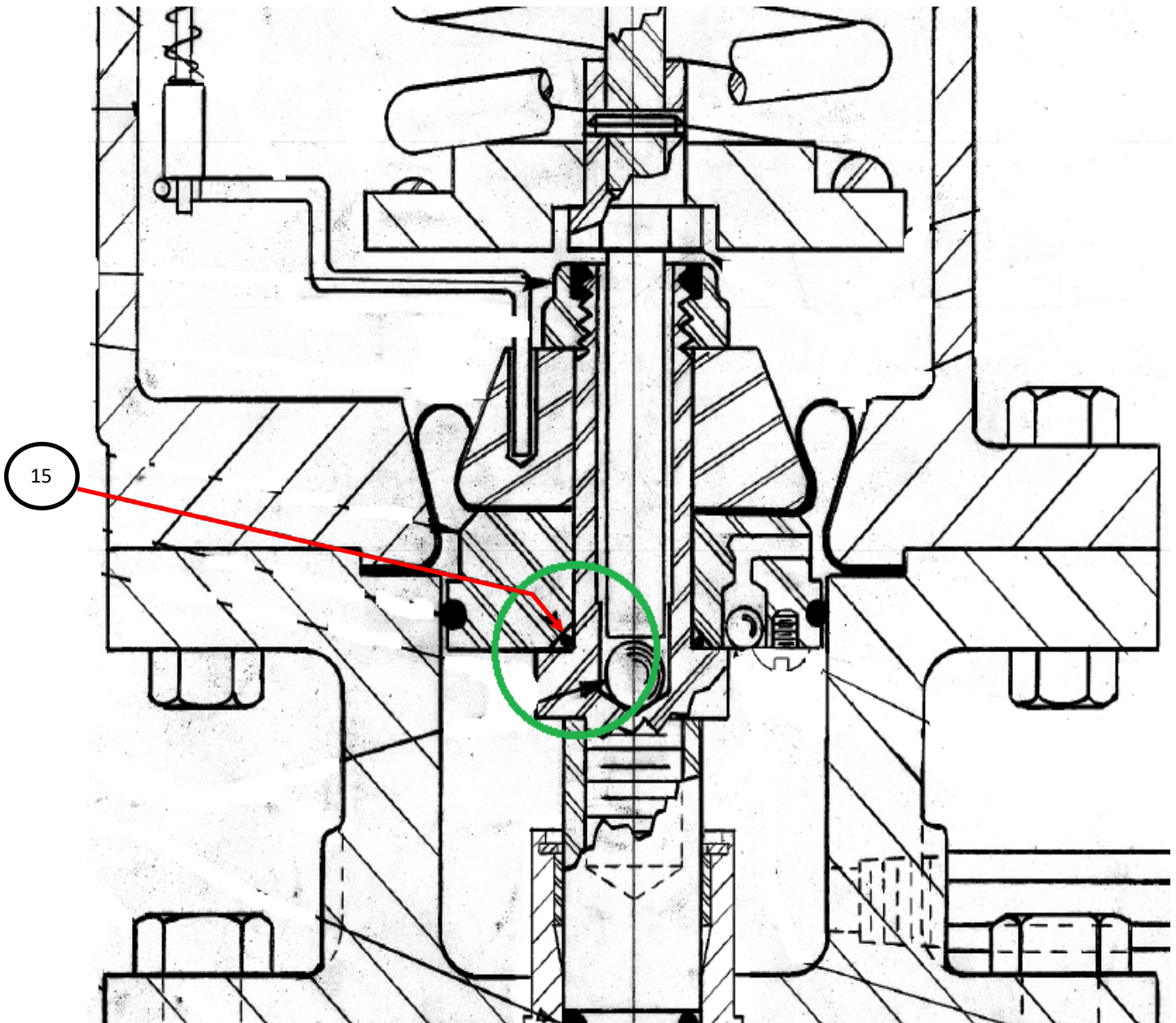
2-441-X57

Wetted Parts Kit



Kit Includes:

15. O-ring 3/4" ID X 7/8" OD #2-018 PN: 906611



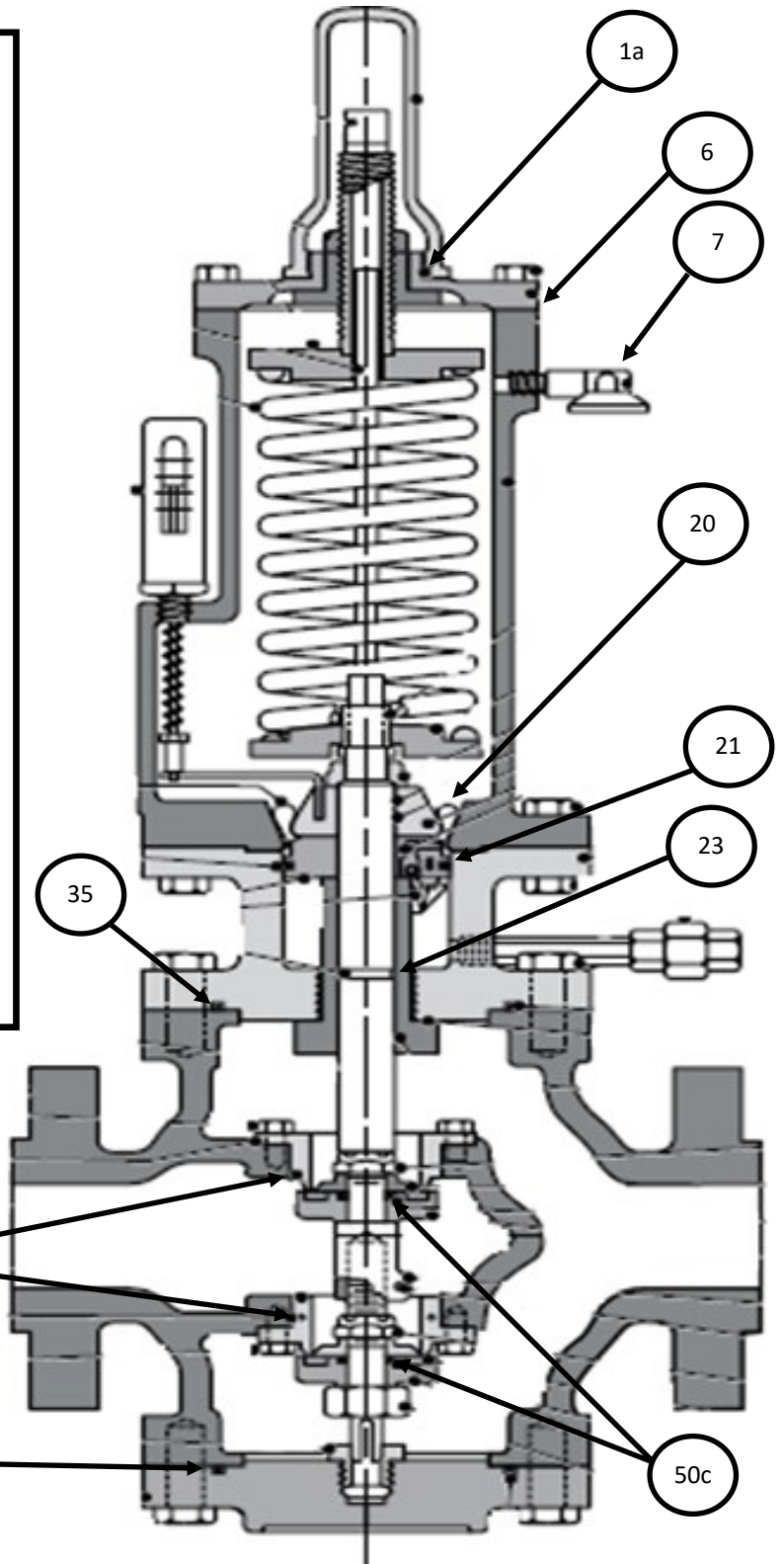
3-441-X57

Wetted Parts Kit

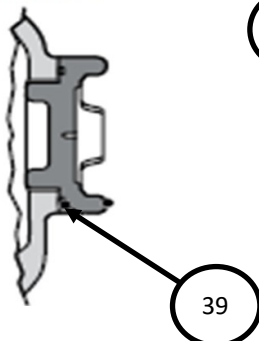


Kit Includes:

- 1a. Tetraseal 1-3/4" X 2" PN: 904092
- 6. Housing Cover Gasket PN: 091-00-066-30
- 7. Vent Cap 1/4" PN: 137-02-505-02
- 15. O-ring 3/4" ID X 7/8" OD #2-018 PN: 906611
(See Page 2 Of Parts Kit Document For Detail)
- 20. Diaphragm, 2-1/2" Roll-Out
PN: 091-00-350-50
- 21. O-Ring, 2-1/8" X 2-1/2" PN: 934033
- 23. Stem O-ring, 11/16" X 7/8" PN: 934013
- 27. Qty (2) O-ring For Orifices PN: 950818
- 35. Qty. (2) Tetraseal 4-3/8" X 4-5/8"
PN: 904085
- 39. Qty. (2) Tetraseal, 3-1/4" X 3-1/2"
PN:904078
- 50c. Qty. (2) O-ring, 5/8" X 13-3/16" PN: 934012



**SIDE INSPECTION
PLATE**



3-441-X57

Wetted Parts Kit



Kit Includes:

15. O-ring 3/4" ID X 7/8" OD #2-018 PN: 906611

