

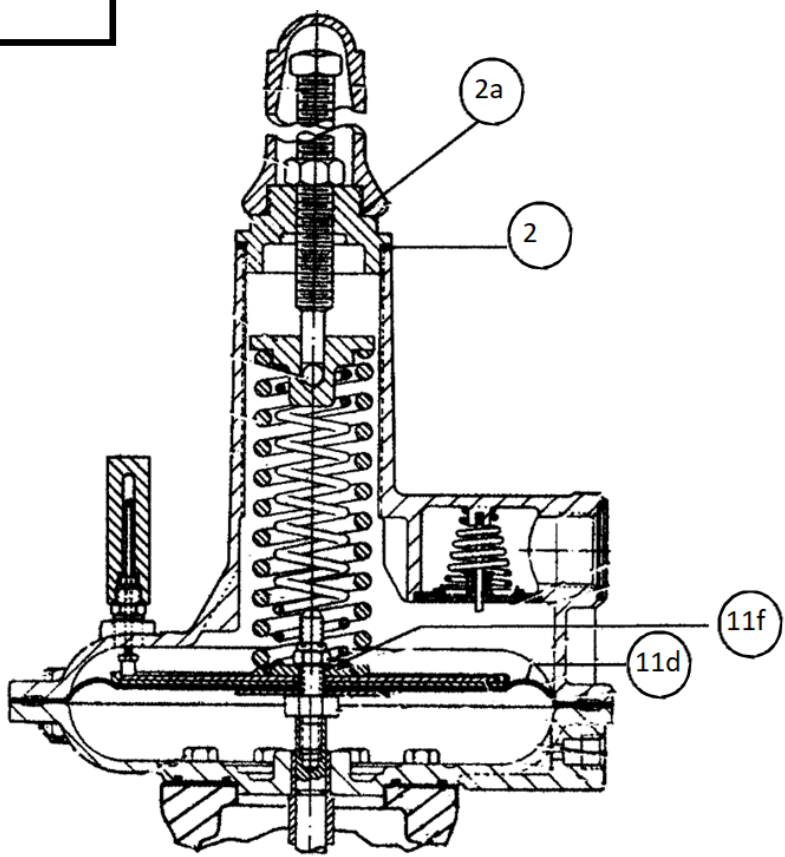
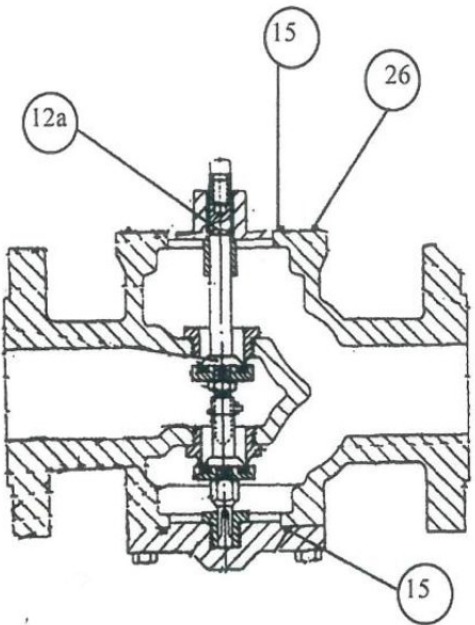
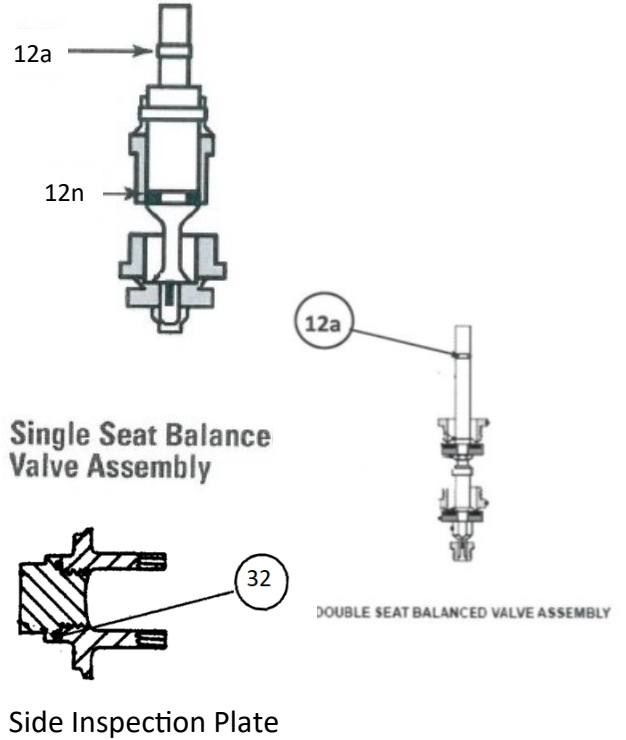
**461-8S**

**Wetted Parts Kit**



**Kit Includes:**

- 2. O-ring PN: 951357
- 2a. Tetraseal 1-1/2" X 1-5/8" PN: 906534
- 11d. Diaphragm 8" PN: 121-10-150-50
- 11f. Qty. (2) Emery Cloth Washer PN: 121-10-178-5000
- 12a. O-ring for stem 3/8" X 1/2" PN: 934007
- 12n. 11/16" Single Stem O-ring PN:934011
- 12n. 1" Single Stem O-ring PN: 934015
- 15. Qty (2) Tetraseal 2-3/4" X 3" PN: 904079
- 26. Tetraseal 4-3/8" X 4-5/8" PN: 904085
- 32. Qty (2) Tetraseal 1-1/2" X 1-3/4" PN: 904086



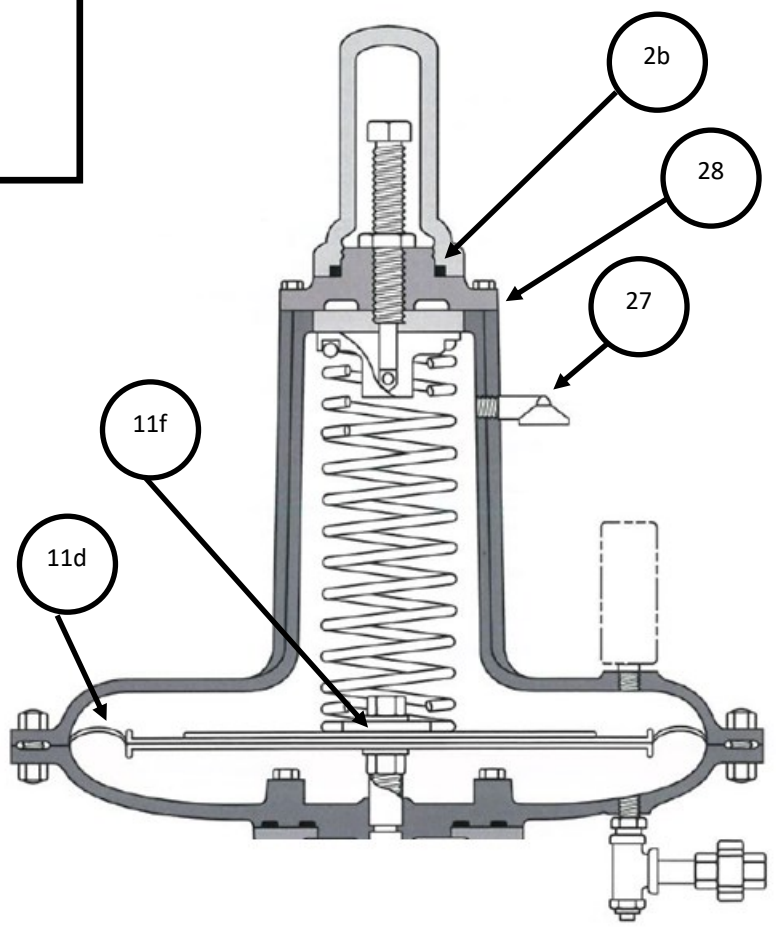
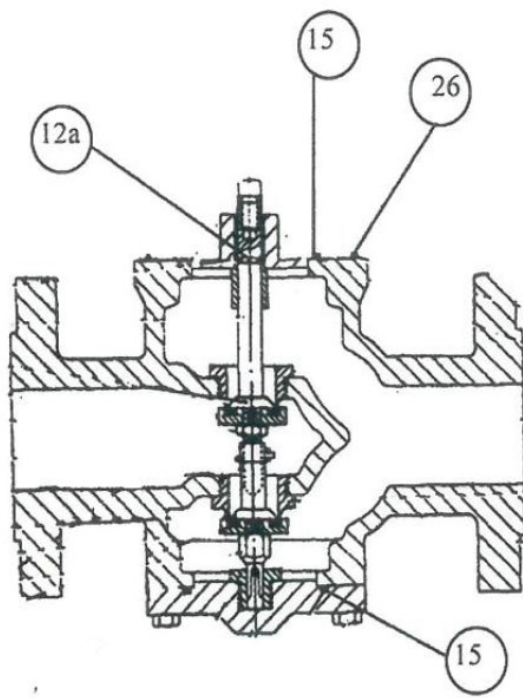
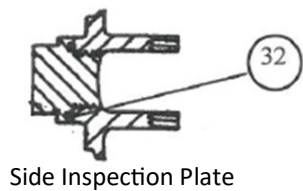
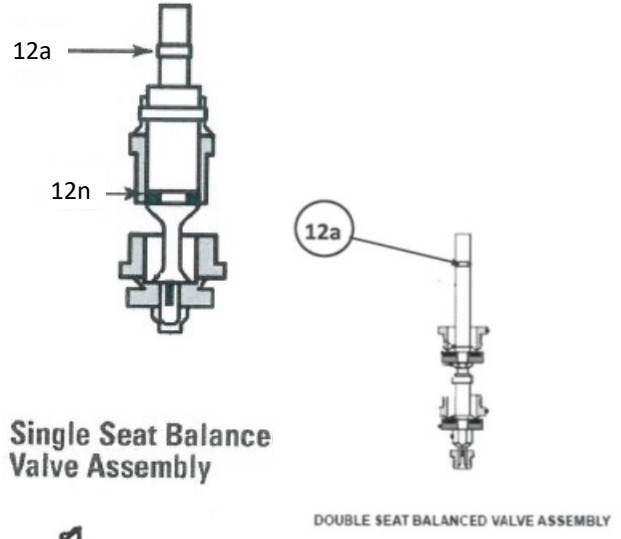
**461-S 8-1/2**

**Wetted Parts Kit**



**Kit Includes:**

- 2b. Tetraseal 1-3/4" X 2" PN: 904092
- 11d. Diaphragm 8-1/2" PN: 091-86-150-00
- 11f. Qty. (2) Seal Washer PN: 014-76-179-04
- 12a. O-ring for stem 3/8" X 1/2" PN: 934007
- 12n. 11/16" Single Stem O-ring PN: 934011
- 12n. 1" Single Stem O-ring PN: 934015
- 15. Qty (2) Tetraseal 2-3/4" X 3" PN: 904079
- 26. Tetraseal 4-3/8" X 4-5/8" PN: 904085
- 27. Vent Cap 1/4" PN: 137-02-505-02
- 28. Seal Cap Gasket PN: 091-16-066-30
- 32. Qty (2) Tetraseal 1-1/2" X 1-3/4" PN: 904086



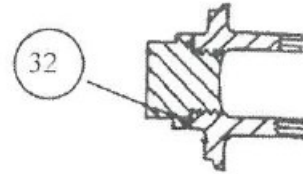
**461-12S**

**Wetted Parts Kit**

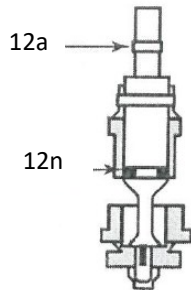


**Kit Includes:**

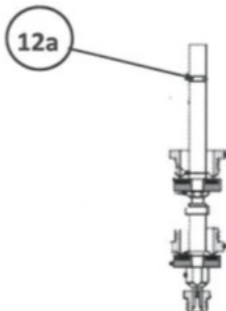
- 2. O-ring PN: 951357
- 11d. Diaphragm 12" PN: 121-16-150-53-001
- 11f. Qty (2) Emery Cloth Washer PN: 121-10-178-5000
- 12a. O-ring for stem 3/8" X 1/2" PN: 934007
- 12n. 11/16" Single Stem O-ring PN:934011
- 12n. 1" Single Stem O-ring PN: 934015
- 15. Qty (2) Tetraseal 2-3/4" X 3" PN: 904079
- 26. Tetraseal 4-3/8" X 4-5/8" PN: 904085
- 32. Qty (2) Tetraseal 1-1/2" X 1-3/4" PN: 904086



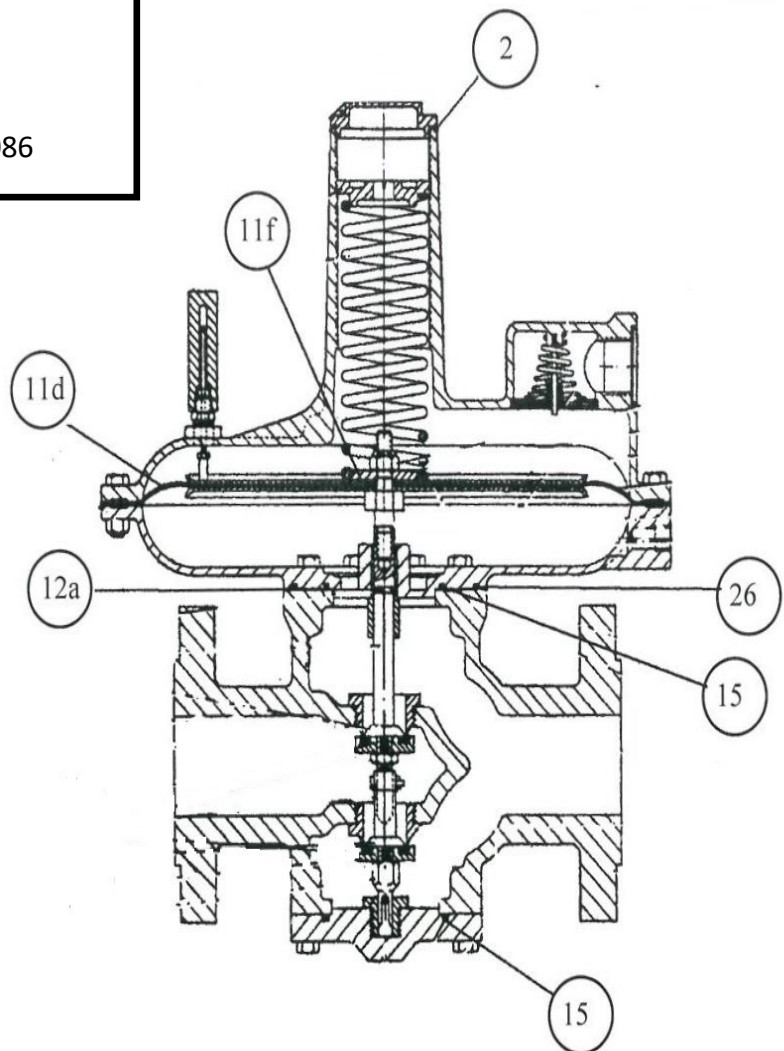
Side Inspection Plate



Single Seat Balanced Valve Assembly



DOUBLE SEAT BALANCED VALVE ASSEMBLY

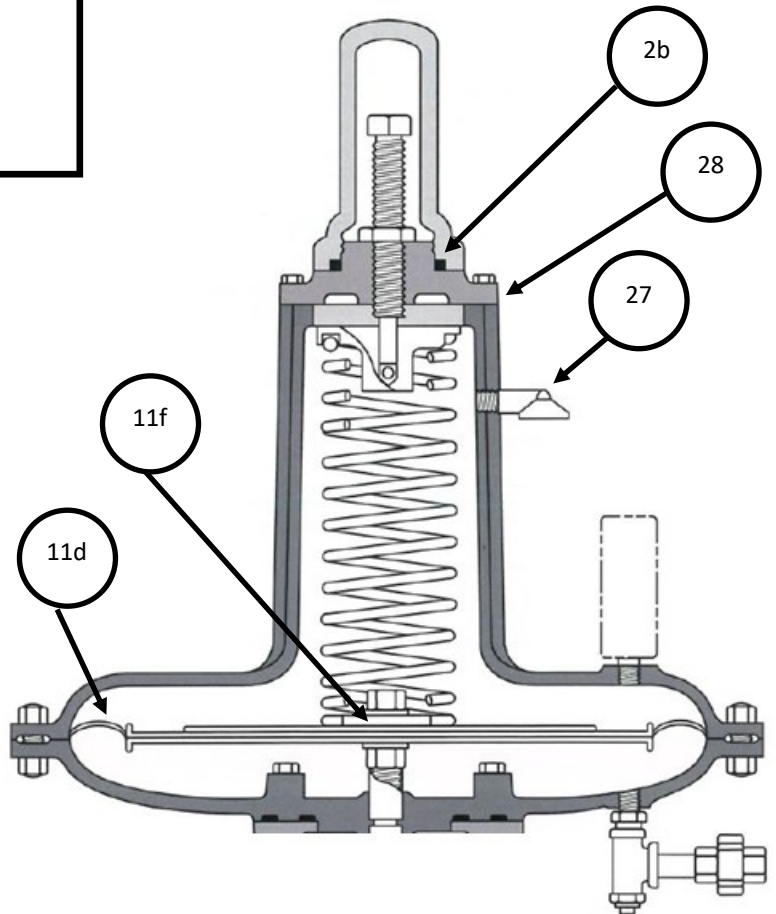
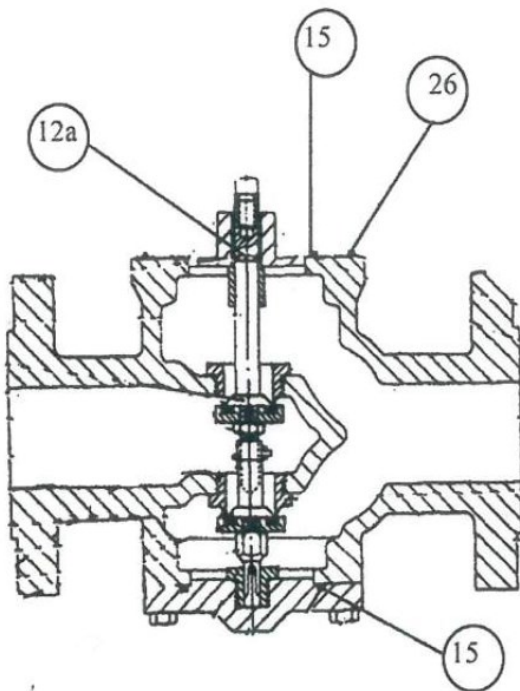
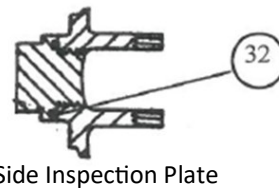
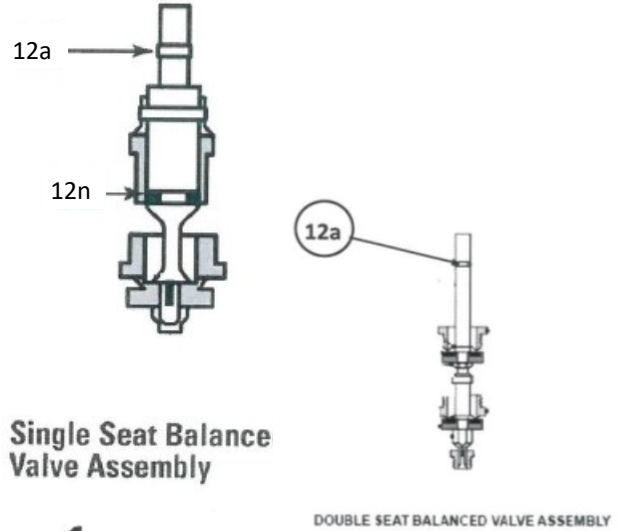


## 461-S 12

### Wetted Parts Kit

#### Kit Includes:

- 2b. Tetraseal 1-3/4" X 2" PN: 904092
- 11d. Diaphragm 12" PN: 091-16-150-00
- 11f. Qty. (2) Seal Washer PN: 014-76-179-04
- 12a. O-ring for stem 3/8" X 1/2" PN: 934007
- 12n. 11/16" Single Stem O-ring PN: 934011
- 12n. 1" Single Stem O-ring PN: 934015
- 15. Qty (2) Tetraseal 2-3/4" X 3" PN: 904079
- 26. Tetraseal 4-3/8" X 4-5/8" PN: 904085
- 27. Vent Cap 1/4" PN: 137-02-505-02
- 28. Seal Cap Gasket PN: 091-16-066-30
- 32. Qty (2) Tetraseal 1-1/2" X 1-3/4" PN: 904086

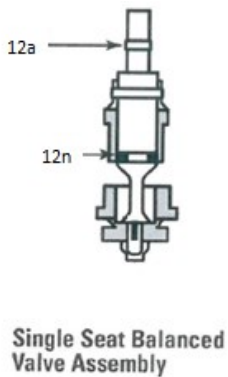
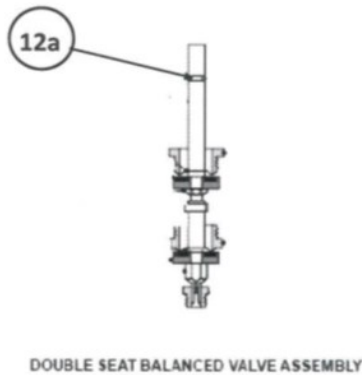
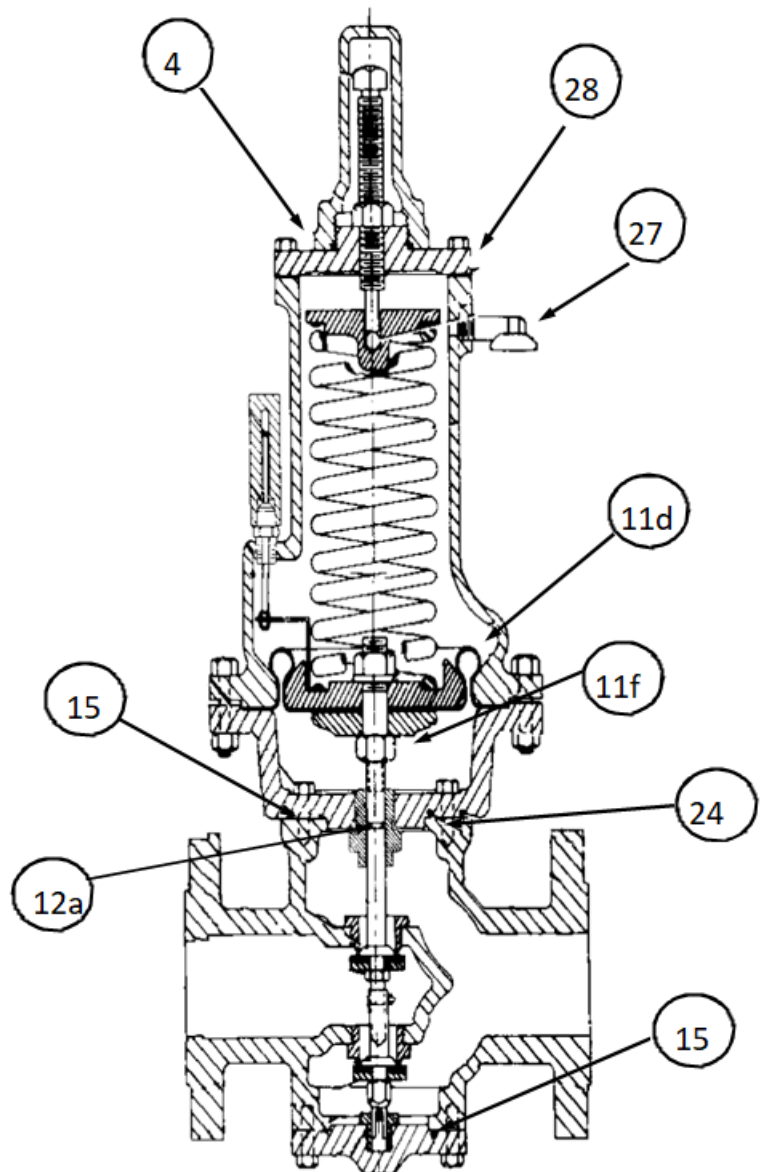
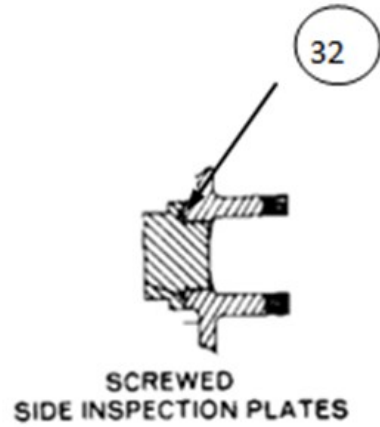


**461-57S**

**Wetted Parts Kit**

**Kit Includes:**

- 4. Tetraseal 1-3/4" X 2" PN: 904092
- 11d. Diaphragm 5" PN: 091-00-350-00
- 11f. O-ring 5/8" X 3/4" PN:902922
- 12a. O-ring for stem 3/8" X 1/2" PN: 934007
- 12n. 11/16" Single Stem O-ring PN:934011
- 12n. 1" Single Stem O-ring PN: 934015
- 15. Qty (2) Tetraseal 2-3/4" X 3" PN: 904079
- 24. Tetraseal 4-3/8" X 4-5/8" PN: 904085
- 27. Vent Cap 1/4" PN: 137-02-505-02
- 28. Housing Cover Gasket PN:091-00-066-3000
- 32. Qty.(2) Tetraseal 1-1/2" X 1-3/4" PN: 904086

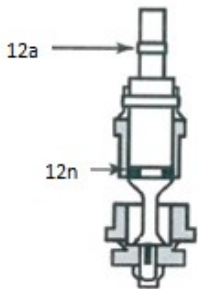


# 461-X57

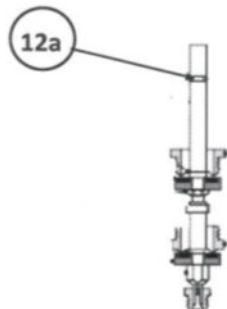
## Wetted Parts Kit

### Kit Includes:

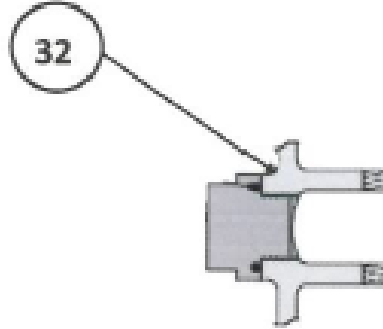
- 4. Tetraseal 1-3/4" X 2" PN: 904092
- 11d. Diaphragm 2-1/2" PN: 091-00-350-50
- 11f. O-ring 3/4" X 7/8" PN: 906611
- 11k. O-ring 2-1/8" X 2-1/2" PN: 934033
- 12a. O-ring for stem 3/8" X 1/2" PN: 934007
- 12n. 11/16" Single Stem O-ring PN:934011
- 12n. 1" Single Stem O-ring PN: 934015
- 15. Qty (2) Tetraseal 2-3/4" X 3" PN: 904079
- 24. Tetraseal 4-3/8" X 4-5/8" PN: 904085
- 27. Vent Cap 1/4" PN: 137-02-505-02
- 28. Housing Cover Gasket PN:091-00-066-3000
- 32. Qty.(2) Tetraseal 1-1/2" X 1-3/4" PN: 904086



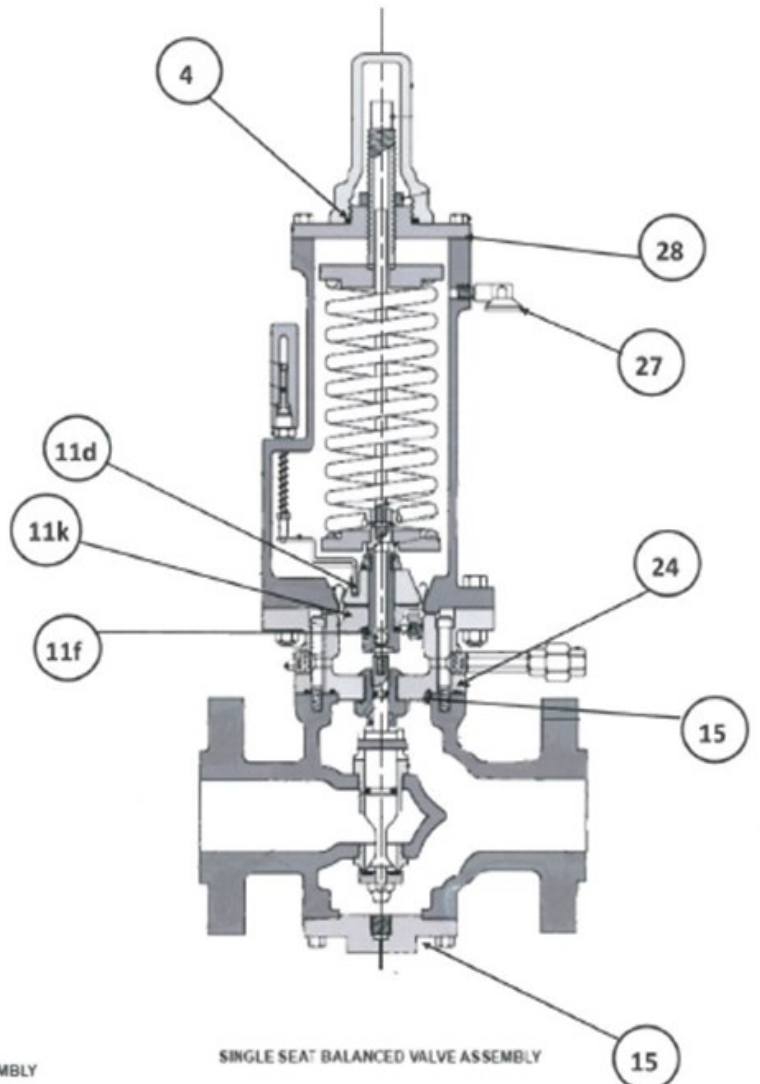
Single Seat Balanced Valve Assembly



DOUBLE SEAT BALANCED VALVE ASSEMBLY



SCREWED SIDE INSPECTION PLATES



SINGLE SEAT BALANCED VALVE ASSEMBLY